

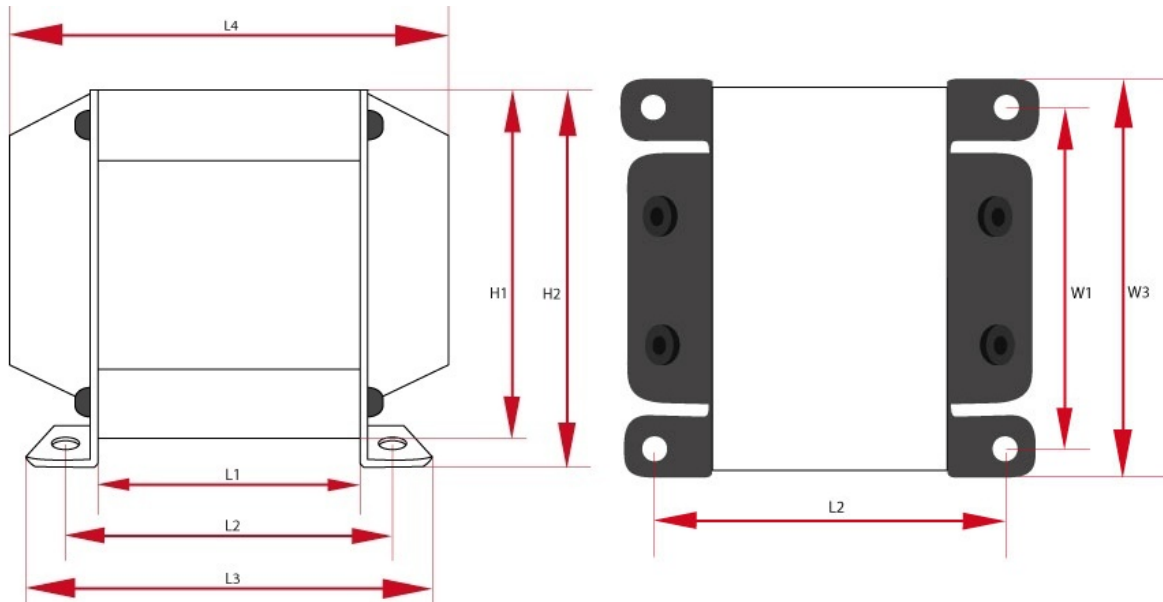
LO D3-1

Choke can be made on the annealed laminations thick of 0.3 mm for an additional charge 12USD. The OT10 cover fits perfectly to D3-1.

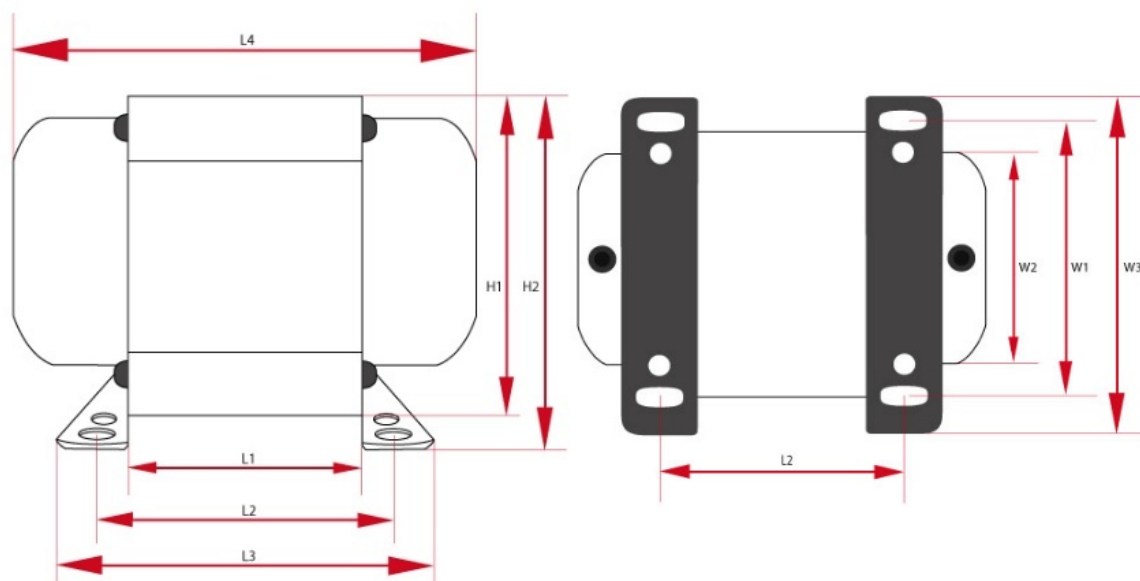
Caption

core	core type	L	inductance, f = 120Hz
sizes	overall dimensions	weight	approximate weight
R	resistance	I _{max}	maximum current
price	price		

Specyfikacje



Choke - LO D3-1 - wersja z dwoma deklami (PL)								
L	R	I _{max}	Core	Size W	Size H	Size L	Weight	Count
3 H	21 Ω	700 mA	EI84/42	W1 - 110 mm W2 - 110 mm W3 - 110 mm	H1 - 110 mm H2 - 110 mm	L1 - 110 mm L2 - 110 mm L3 - 110 mm L4 - 110 mm	1.9 kG	1



Choke - LO D3-1 - wersja z dwoma deklami (DE)

L	R	I_{\max}	Core	Size W	Size H	Size L	Weight	Count
3 H	21 Ω	700 mA	EI84/42	W1 - 110 mm W2 - 110 mm W3 - 110 mm	H1 - 110 mm H2 - 110 mm	L1 - 110 mm L2 - 110 mm L3 - 110 mm L4 - 110 mm	1.9 kG	1