

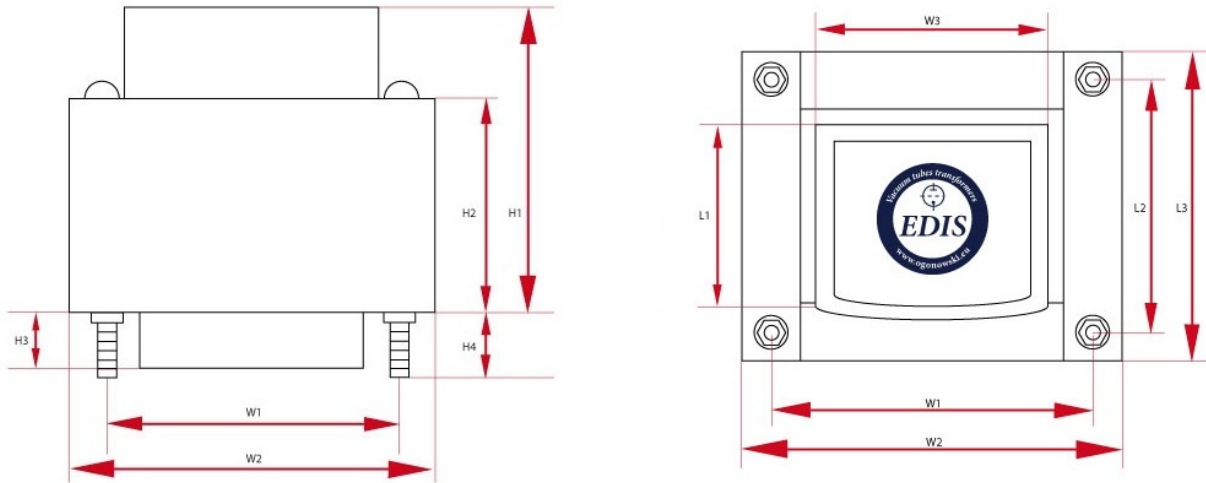
LO D4-1

Choke can be made on the annealed laminations thick of 0.3 mm for an additional charge 12USD. The OT10 cover fits perfectly to D4-1.

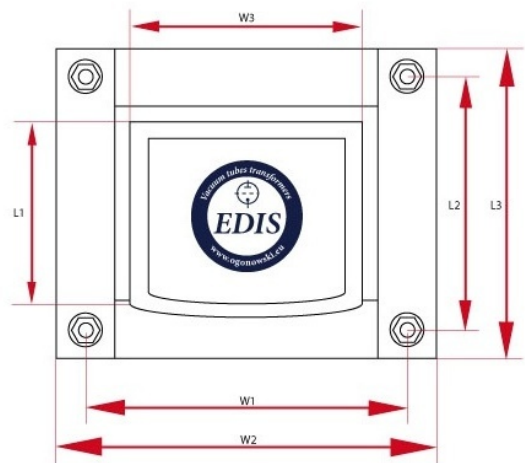
Caption

weight	approximate weight	sizes	overall dimensions
price	price	$I_{max}$	maximum current
L	inductance, $f = 120\text{Hz}$	R	resistance
core	core type		

Specyfikacje



Choke - LO D4-1 - wersja z jednym dekielkiem (PL)								
L	R	$I_{max}$	Core	Size W	Size H	Size L	Weight	Count
3 H	26 $\Omega$	700 mA	EI84/42	W1 - 110 mm W2 - 110 mm W3 - 110 mm	H1 - 110 mm H2 - 110 mm	L1 - 110 mm L2 - 110 mm L3 - 110 mm L4 - 110 mm	1.9 kG	1



Choke - LO D4-1 - wersja z jednym dekielkiem (DE)

L	R	$I_{\max}$	Core	Size W	Size H	Size L	Weight	Count
3 H	26 $\Omega$	700 mA	EI84/42	W1 - 110 mm W2 - 110 mm W3 - 110 mm	H1 - 110 mm H2 - 110 mm	L1 - 110 mm L2 - 110 mm L3 - 110 mm L4 - 110 mm	1.9 kG	1