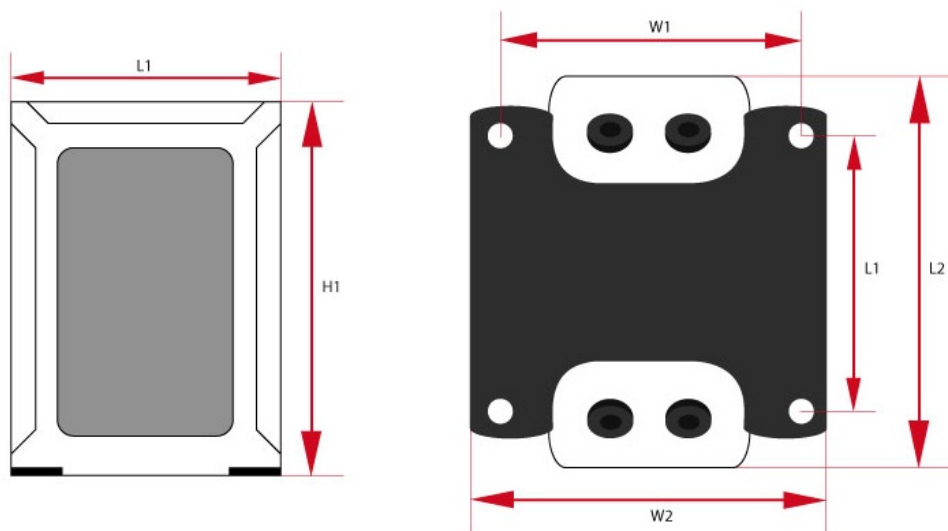


LO PP40-G2

## Caption

$P_{max}$	maximum power	$I_{max}$	maximum current
UL	peel off the ultra-linear	$L_{aa}$	inductance of the anode-anode, $f=120\text{Hz}$
$R_o$	load resistance	$f_{min}$	minimum frequency
price	price	weight	approximate weight
$R_{aa}$	resistance of the anode-anode	core	core type
sizes	overall dimensions	$k_{n:n}$	transmission
$Z_{aa}$	anode-anode impedance	$f_{max}$	maximum frequency

## Specyfikacje



Push Pull - PP40-G2 - wersja z dwoma deklami							
$P_{max}$	$Z_a$	$I_{max}$	$R_{aa}$	UL	$k_{n:n}$	$R_o$	$L_a$
40 W	8 $\Omega$	200 mA	8000 $\Omega$	-	-	4 and 8 and 16 $\Omega$	-
$f_{min}$	$f_{max}$	Core	Size W	Size H	Size L	Weight	Count
		EI66/32	W1 -- mm W2 -- mm W3 -- mm	H1 -- mm H2 -- mm	L1 -- mm L2 -- mm L3 -- mm L4 -- mm	1 kg	1