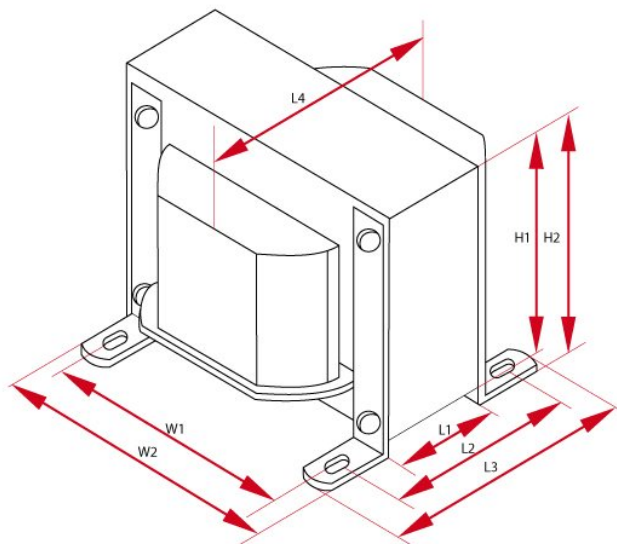


LO PP40-G2

Caption

R_{aa}	resistance of the anode-anode	I_{max}	maximum current
price	price	$k_{n.n}$	transmission
Z_{aa}	anode-anode impedance	UL	peel off the ultra-linear
R_o	load resistance	f_{max}	maximum frequency
sizes	overall dimensions	P_{max}	maximum power
f_{min}	minimum frequency	core	core type
weight	approximate weight	L_{aa}	inductance of the anode-anode, f=120Hz

Specyfikacje



Push Pull - PP40-G2							
P_{max}	Z_a	I_{max}	R_{aa}	UL	$k_{n.n}$	R_o	L_a
40 W	8 Ω	200 mA	8000 Ω	-	-	4 and 8 and 16 Ω	-
f_{min}	f_{max}	Core	Size W	Size H	Size L	Weight	Count
		EI66/32	W1 -- mm W2 -- mm W3 -- mm	H1 -- mm H2 -- mm	L1 -- mm L2 -- mm L3 -- mm L4 -- mm	1 kG	1