

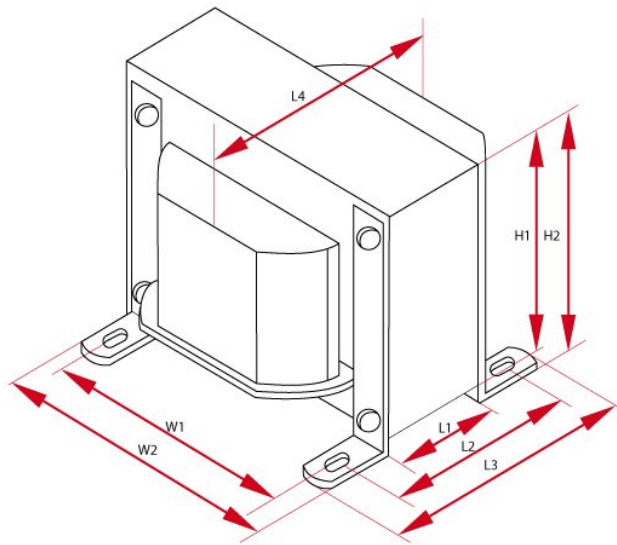
PP40-G1

Guitar Ra Transformer 8000Ω of 40W.

Caption

weight	approximate weight	price	price
I_{max}	maximum current	sizes	overall dimensions
f_{max}	maximum frequency	R_{aa}	resistance of the anode-anode
R_o	load resistance	P_{max}	maximum power
Z_{aa}	anode-anode impedance	UL	peel off the ultra-linear
$k_{n:n}$	transmission	L_{aa}	inductance of the anode-anode, f=120Hz
core	core type	f_{min}	minimum frequency

Specyfikacje



Push Pull - PP40-G1							
P_{max}	Z_a	I_{max}	R_{aa}	UL	$k_{n:n}$	R_o	L_a
40 W	8000 Ω	150 mA	-	-	-	4, 8 and 16 Ω	-
f_{min}	f_{max}	Core	Size W	Size H	Size L	Weight	Count
30Hz @ -3dB	30kHz @ -3dB	EI84/42	W1 - 70 mm W2 - 84 mm W3 - 110 mm	H1 - 70 mm H2 - 74 mm	L1 - 42 mm L2 - 60 mm L3 - 72 mm L4 - 82 mm	2 kG	1