

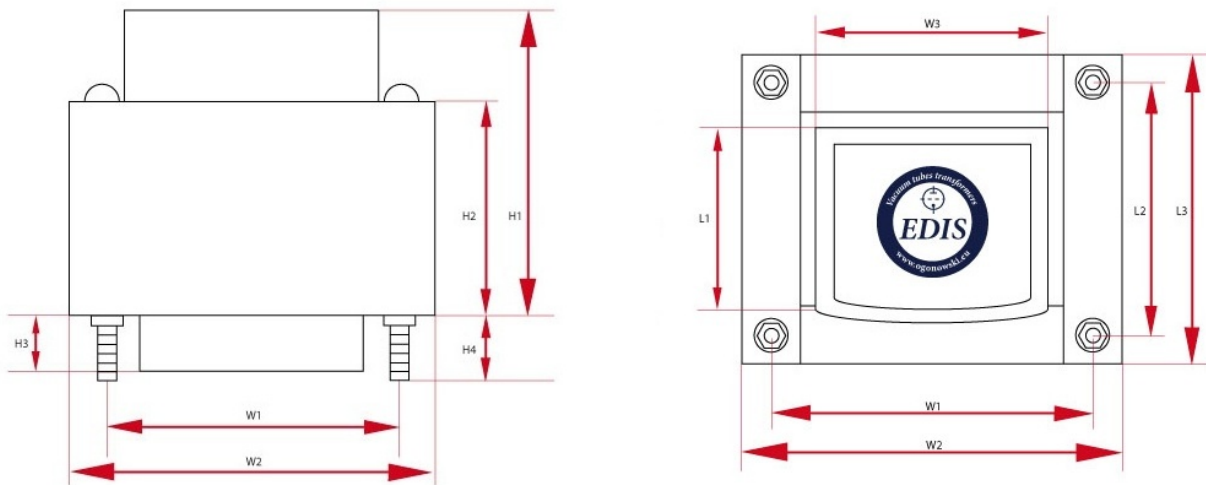
PP80-G1

Transformer guitar. Ra 3000Ω, the power of 80W.

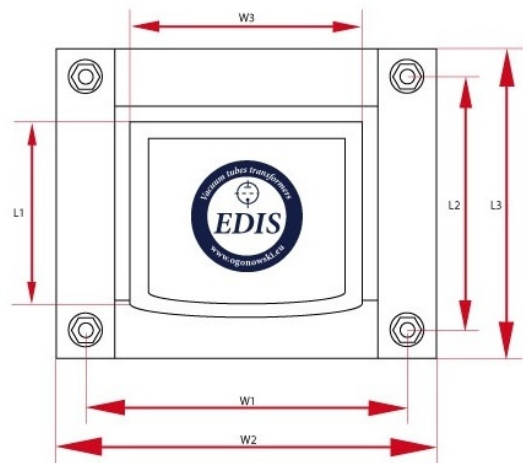
Caption

R_{aa}	resistance of the anode-anode	I_{max}	maximum current
price	price	$k_{n:n}$	transmission
Z_{aa}	anode-anode impedance	UL	peel off the ultra-linear
R_o	load resistance	f_{max}	maximum frequency
sizes	overall dimensions	P_{max}	maximum power
f_{min}	minimum frequency	core	core type
weight	approximate weight	L_{aa}	inductance of the anode-anode, f=120Hz

Specyfikacje



Push Pull - PP80-G1 - wersja z jednym dekielkiem (PL)							
P_{max}	Z_a	I_{max}	R_{aa}	UL	$k_{n:n}$	R_o	L_a
80 W	3400 Ω	200 mA	-	-	-	4, 8 and 16 Ω	-
f_{min}	f_{max}	Core	Size W	Size H	Size L	Weight	Count
10Hz @ -3dB 20Hz @ +/-1dB	60kHz @ -3dB 20kHz @ +/-1dB	EI96/35	W1 - 110 mm W2 - 110 mm W3 - 110 mm	H1 - 110 mm H2 - 110 mm	L1 - 110 mm L2 - 110 mm L3 - 110 mm L4 - 110 mm	2 kG	1



Push Pull - PP80-G1 - wersja z jednym dekielkiem (DE)

P_{max}	Z_a	I_{max}	R_{aa}	UL	$k_{n:n}$	R_o	L_a
80 W	3400 Ω	200 mA	-	-	-	4, 8 and 16 Ω	-
f_{min}	f_{max}	Core	Size W	Size H	Size L	Weight	Count
10Hz @ -3dB 20Hz @ +/-1dB	60kHz @ -3dB 20kHz @ +/-1dB	EI96/35	W1 - 110 mm W2 - 110 mm W3 - 110 mm	H1 - 110 mm H2 - 110 mm	L1 - 110 mm L2 - 110 mm L3 - 110 mm L4 - 110 mm	2 kg	1