

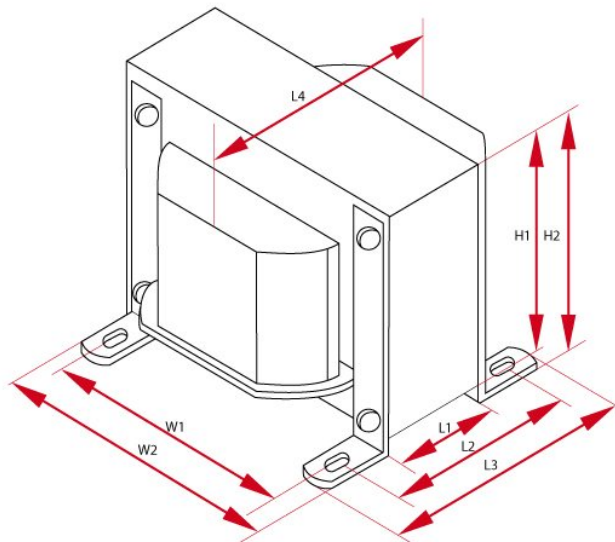
TS180-5

For a transformer fits OT12. Transformer can be made on the annealed laminations thick 0.3 mm for an additional charge 19USD.

Caption

$P_{max}$	maximum power	price	price
$f_{zas}$	operating frequency	sizes	overall dimensions
core	core type	$U_{n/In}$	output voltage for current
weight	approximate weight	$U_{we}$	input voltage

Specyfikacje



Power Transformer - TS180-5							
$P_{max}$	$U_{in}$	$F_z$	Core	Size W	Size H	Size L	Weight
180 W	230 V	50 Hz	EI96/59	W1 - 80 mm W2 - 96 mm W3 - 110 mm	H1 - 80 mm H2 - 84 mm	L1 - 59 mm L2 - 90 mm L3 - 106 mm L4 - 94 mm	3.2 kg
$U_{a1}$	$U_{a2}$	$U_{a3}$	$U_{a4}$	$U_{a5}$	$U_{a6}$	$U_{a7}$	$U_{a8}$
300-0-300V/0,16A	6,3V/1A	3,15-0-3,15V/4A	-	-	-	-	-
Oslona	Count						
-	1						