

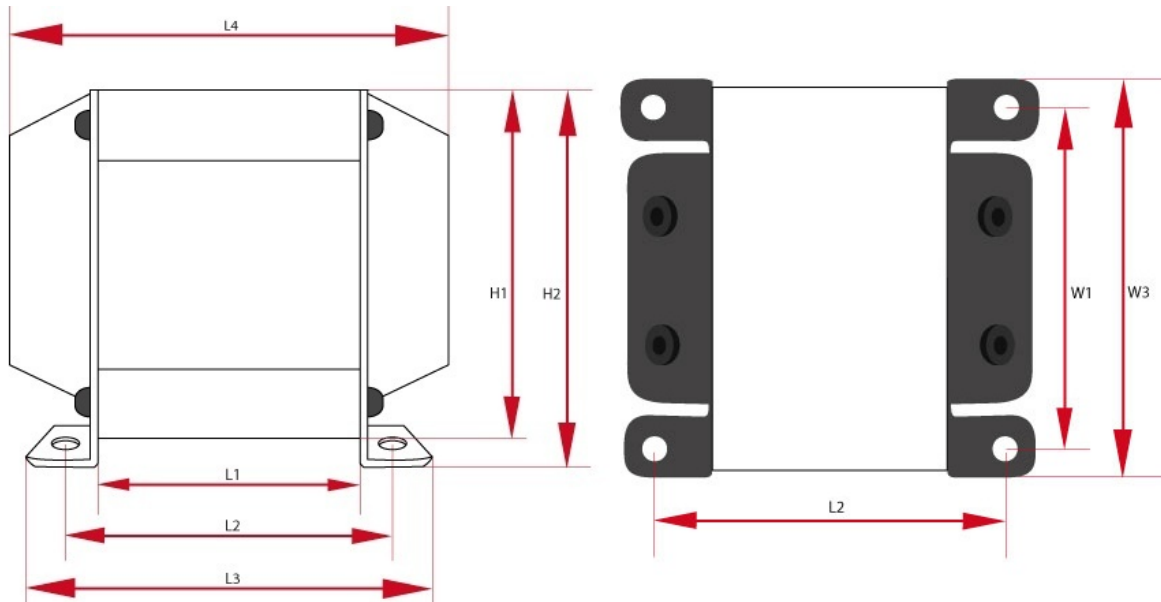
TS200-1

For transformer protection shield fits OT12.

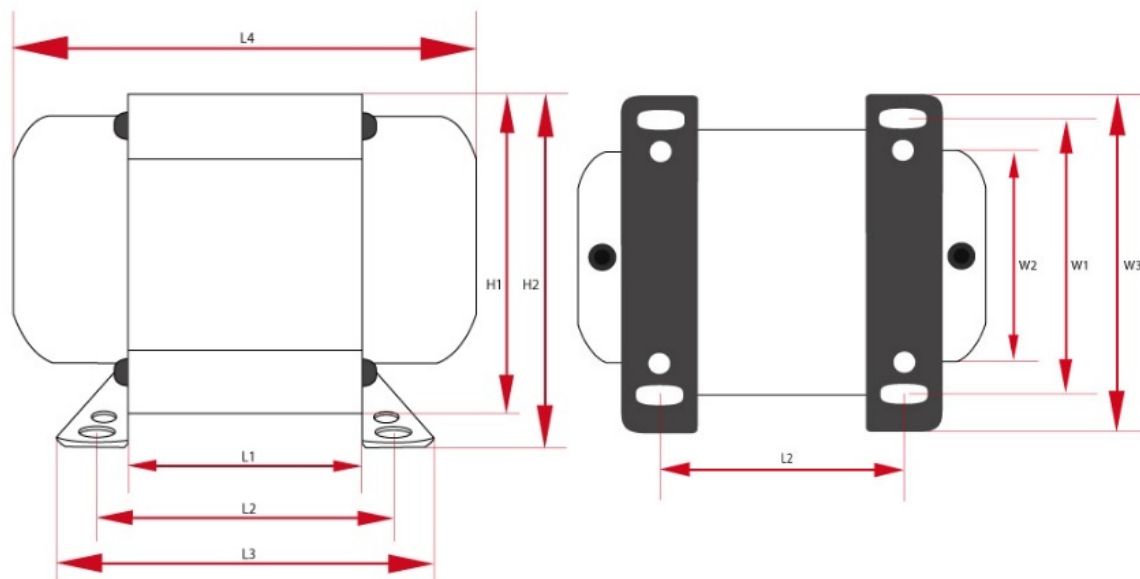
## Caption

weight	approximate weight	price	price
core	core type	$f_{zas}$	operating frequency
$P_{max}$	maximum power	$U_{we}$	input voltage
$U_{n/In}$	output voltage for current	sizes	overall dimensions

## Specyfikacje



Power Transformer - TS200-1 - wersja z dwoma deklami (PL)							
$P_{max}$	$U_{in}$	$F_z$	Core	Size W	Size H	Size L	Weight
200 W	230 V	50 Hz	EI102/51	W1 - 110 mm W2 - 110 mm W3 - 110 mm	H1 - 110 mm H2 - 110 mm	L1 - 110 mm L2 - 110 mm L3 - 110 mm L4 - 110 mm	3.2 kg
$U_{a1}$	$U_{a2}$	$U_{a3}$	$U_{a4}$	$U_{a5}$	$U_{a6}$	$U_{a7}$	$U_{a8}$
240V/400mA	6.3V/5A	-	-	-	-	-	-
Oslona	Count						
OT12	1						



Power Transformer - TS200-1 - wersja z dwoma deklami (DE)

$P_{max}$	$U_{in}$	$F_z$	Core	Size W	Size H	Size L	Weight
200 W	230 V	50 Hz	EI102/51	W1 - 110 mm W2 - 110 mm W3 - 110 mm	H1 - 110 mm H2 - 110 mm	L1 - 110 mm L2 - 110 mm L3 - 110 mm L4 - 110 mm	3.2 kg
$U_{a1}$	$U_{a2}$	$U_{a3}$	$U_{a4}$	$U_{a5}$	$U_{a6}$	$U_{a7}$	$U_{a8}$
240V/400mA	6.3V/5A	-	-	-	-	-	-
Ostona	Count						
OT12	1						