

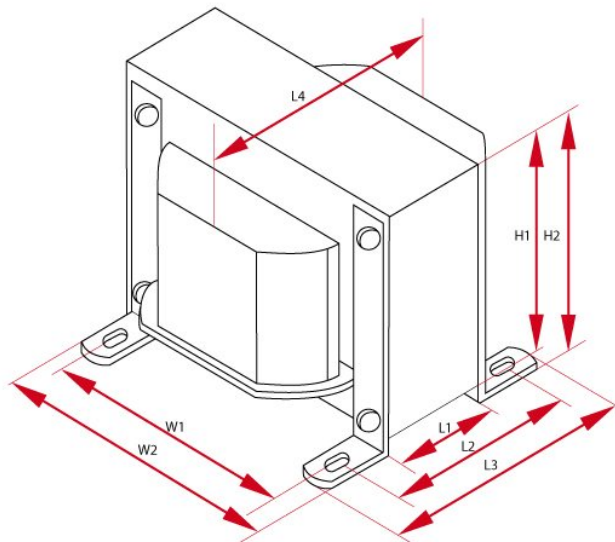
TS200-1

For transformer protection shield fits OT12.

Caption

weight	approximate weight	price	price
core	core type	f_{zas}	operating frequency
P_{max}	maximum power	U_{we}	input voltage
$U_{n/In}$	output voltage for current	sizes	overall dimensions

Specyfikacje



Power Transformer - TS200-1							
P_{max}	U_{in}	F_z	Core	Size W	Size H	Size L	Weight
200 W	230 V	50 Hz	EI102/51	W1 - 85 mm W2 - 102 mm W3 - 110 mm	H1 - 85 mm H2 - 90 mm	L1 - 51 mm L2 - 70 mm L3 - 82 mm L4 - 92 mm	3.2 kg
U_{a1}	U_{a2}	U_{a3}	U_{a4}	U_{a5}	U_{a6}	U_{a7}	U_{a8}
240V/400mA	6.3V/5A	-	-	-	-	-	-
Oslona	Count						
OT12	1						