

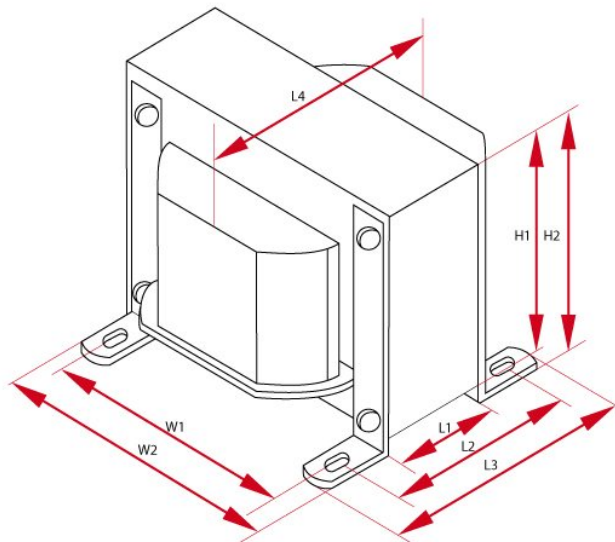
TS300-6

For transformer protection shield fits OT14. The transformer can be made □□ on sheets of 0.3 mm annealed at extra cost \$ 32.

Caption

core	core type	sizes	overall dimensions
$U_{n/In}$	output voltage for current	f_{zas}	operating frequency
price	price	weight	approximate weight
P_{max}	maximum power	U_{we}	input voltage

Specyfikacje



Power Transformer - TS300-6							
P_{max}	U_{in}	F_z	Core	Size W	Size H	Size L	Weight
300 W	230 V	50 Hz	EI120/53	W1 - 100 mm W2 - 120 mm W3 - 110 mm	H1 - 100 mm H2 - 103 mm	L1 - 53 mm L2 - 68 mm L3 - 103 mm L4 - 100 mm	5 kg
U_{a1}	U_{a2}	U_{a3}	U_{a4}	U_{a5}	U_{a6}	U_{a7}	U_{a8}
0-10-160V/0,4A	290V/0,06A	90V/0,06A	6,3V/2A	12,6V/5A	-	-	-
Oslona	Count						
-	1						