

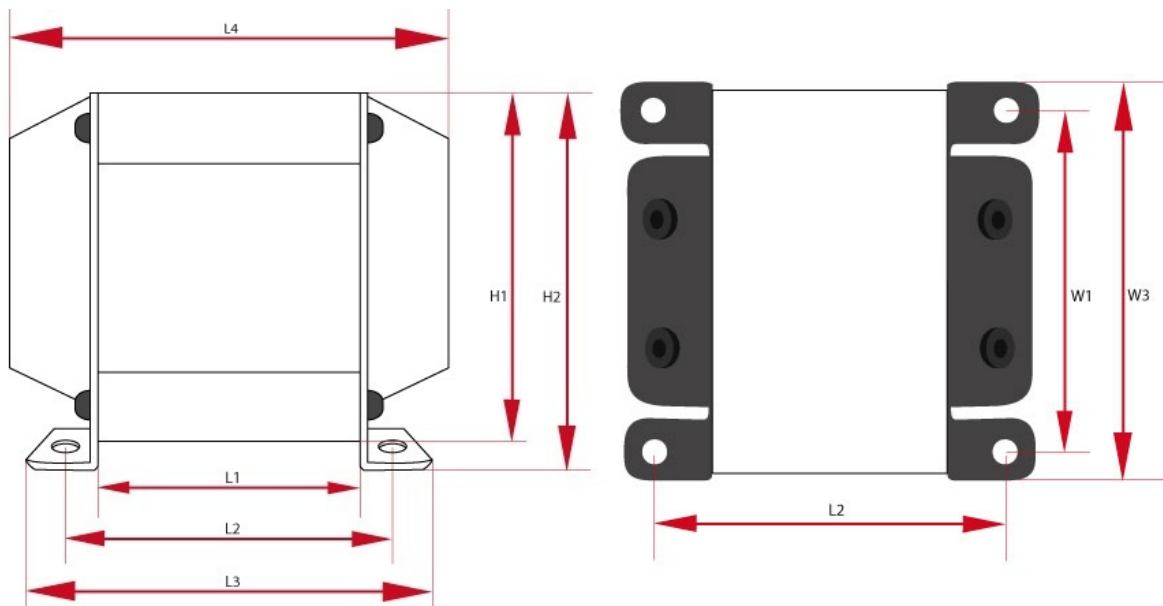
LO PP40-1

The transformer is made on the annealed cores, thickness of laminations 0.3 mm .

Caption

UL	peel off the ultra-linear	f_{min}	minimum frequency
sizes	overall dimensions	price	price
R_o	load resistance	Z_{aa}	anode-anode impedance
I_{max}	maximum current	R_{aa}	resistance of the anode-anode
$k_{n:n}$	transmission	weight	approximate weight
f_{max}	maximum frequency	core	core type
L_{aa}	inductance of the anode-anode, $f=120\text{Hz}$	P_{max}	maximum power

Specyfikacje



Push Pull - LO PP40-1 - wersja z dwoma deklami (PL)							
P_{max}	Z_a	I_{max}	R_{aa}	UL	$k_{n:n}$	R_o	L_a
40 W	6600 Ω	200 mA	173 Ω	43 %	40.6 : 1, 28.7 : 1	4 and 8 Ω	44 H
f_{min}	f_{max}	Core	Size W	Size H	Size L	Weight	Count
15Hz @ -3dB	68kHz @ -3dB	EI84/42	W1 - 110 mm W2 - 110 mm W3 - 110 mm	H1 - 110 mm H2 - 110 mm	L1 - 110 mm L2 - 110 mm L3 - 110 mm L4 - 110 mm	1.8 kG	1
Price							
1-5 units		5+ units		10+ units		25+ units	
84.0 USD		80.0 USD		76.0 USD		71.4 USD	



Push Pull - LO PP40-1 - wersja z dwoma deklami (DE)

P_{max}	Z_a	I_{max}	R_{aa}	UL	$k_{n:n}$	R_o	L_a
40 W	6600 Ω	200 mA	173 Ω	43 %	40.6 : 1, 28.7 : 1	4 and 8 Ω	44 H
f_{min}	f_{max}	Core	Size W	Size H	Size L	Weight	Count
15Hz @ -3dB	68kHz @ -3dB	EI84/42	W1 - 110 mm W2 - 110 mm W3 - 110 mm	H1 - 110 mm H2 - 110 mm	L1 - 110 mm L2 - 110 mm L3 - 110 mm L4 - 110 mm	1.8 kg	1
Price							
1-5 units		5+ units		10+ units		25+ units	
84.0 USD		80.0 USD		76.0 USD		71.4 USD	