

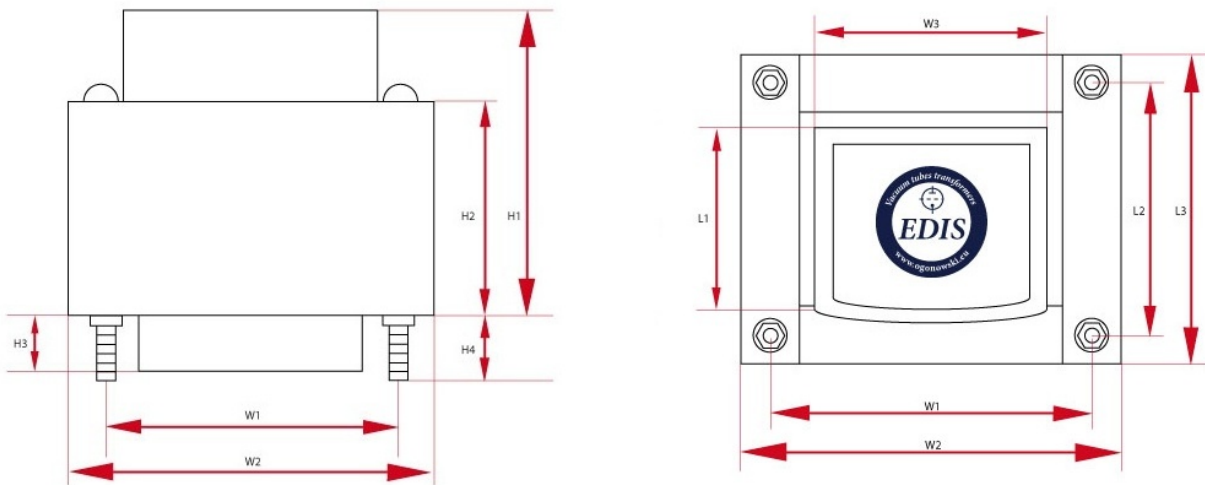
LO PP40-2

The transformer is made on the annealed cores, thickness of laminations 0.3 mm .

Caption

sizes	overall dimensions	$I_{max}$	maximum current
UL	peel off the ultra-linear	$k_{n:n}$	transmission
$L_{aa}$	inductance of the anode-anode, $f=120\text{Hz}$	core	core type
$Z_{aa}$	anode-anode impedance	price	price
$f_{max}$	maximum frequency	$R_{aa}$	resistance of the anode-anode
$R_o$	load resistance	$f_{min}$	minimum frequency
$P_{max}$	maximum power	weight	approximate weight

Specyfikacje



Push Pull - LO PP40-2 - wersja z jednym dekielkiem (PL)							
$P_{max}$	$Z_a$	$I_{max}$	$R_{aa}$	UL	$k_{n:n}$	$R_o$	$L_a$
40 W	8000 $\Omega$	200 mA	173 $\Omega$	43 %	47.7:1, 31.6:1	4 and 8 $\Omega$	44 H
$f_{min}$	$f_{max}$	Core	Size W	Size H	Size L	Weight	Count
15Hz @ -3dB	68kHz @ -3dB	EI84/42	W1 - 110 mm W2 - 110 mm W3 - 110 mm	H1 - 110 mm H2 - 110 mm	L1 - 110 mm L2 - 110 mm L3 - 110 mm L4 - 110 mm	1.8 kG	1
Price							
1-5 units		5+ units		10+ units		25+ units	
84.0 USD		79.8 USD		75.6 USD		71.4 USD	



Push Pull - LO PP40-2 - wersja z jednym dekielkiem (DE)

$P_{max}$	$Z_a$	$I_{max}$	$R_{aa}$	UL	$k_{n:n}$	$R_o$	$L_a$
40 W	8000 $\Omega$	200 mA	173 $\Omega$	43 %	47.7:1, 31.6:1	4 and 8 $\Omega$	44 H
$f_{min}$	$f_{max}$	Core	Size W	Size H	Size L	Weight	Count
15Hz @ -3dB	68kHz @ -3dB	EI84/42	W1 - 110 mm W2 - 110 mm W3 - 110 mm	H1 - 110 mm H2 - 110 mm	L1 - 110 mm L2 - 110 mm L3 - 110 mm L4 - 110 mm	1.8 KG	1
Price							
1-5 units		5+ units		10+ units		25+ units	
84.0 USD		79.8 USD		75.6 USD		71.4 USD	