

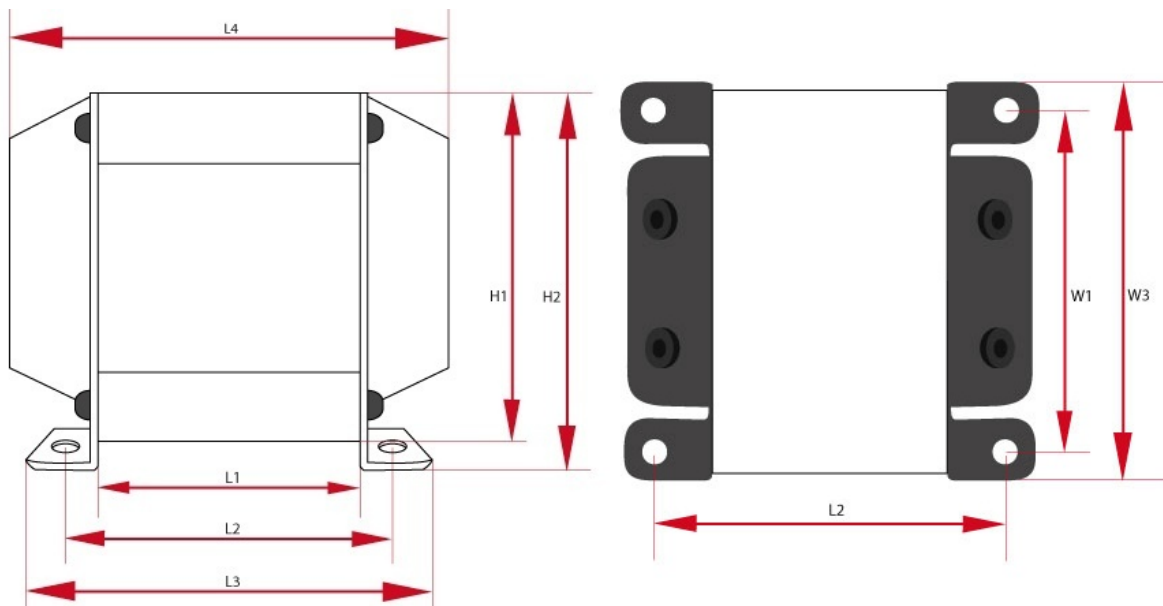
LO PP40-2

The transformer is made on the annealed cores, thickness of laminations 0.3 mm .

Caption

weight	approximate weight	P_{max}	maximum power
Z_{aa}	anode-anode impedance	R_{aa}	resistance of the anode-anode
I_{max}	maximum current	f_{min}	minimum frequency
f_{max}	maximum frequency	sizes	overall dimensions
$k_{n:n}$	transmission	L_{aa}	inductance of the anode-anode, f=120Hz
price	price	UL	peel off the ultra-linear
core	core type	R_o	load resistance

Specyfikacje



Push Pull - LO PP40-2 - wersja z dwoma deklami (PL)							
P_{max}	Z_a	I_{max}	R_{aa}	UL	$k_{n:n}$	R_o	L_a
40 W	8000 Ω	200 mA	173 Ω	43 %	47.7:1, 31.6:1	4 and 8 Ω	44 H
f_{min}	f_{max}	Core	Size W	Size H	Size L	Weight	Count
15Hz @ -3dB	68kHz @ -3dB	EI84/42	W1 - 110 mm W2 - 110 mm W3 - 110 mm	H1 - 110 mm H2 - 110 mm	L1 - 110 mm L2 - 110 mm L3 - 110 mm L4 - 110 mm	1.8 kG	1
Price							
1-5 units		5+ units		10+ units		25+ units	
84.0 USD		79.8 USD		75.6 USD		71.4 USD	



Push Pull - LO PP40-2 - wersja z dwoma deklami (DE)

P_{max}	Z_a	I_{max}	R_{aa}	UL	$k_{n:n}$	R_o	L_a
40 W	8000 Ω	200 mA	173 Ω	43 %	47.7:1, 31.6:1	4 and 8 Ω	44 H
f_{min}	f_{max}	Core	Size W	Size H	Size L	Weight	Count
15Hz @ -3dB	68kHz @ -3dB	EI84/42	W1 - 110 mm W2 - 110 mm W3 - 110 mm	H1 - 110 mm H2 - 110 mm	L1 - 110 mm L2 - 110 mm L3 - 110 mm L4 - 110 mm	1.8 kg	1
Price							
1-5 units		5+ units		10+ units		25+ units	
84.0 USD		79.8 USD		75.6 USD		71.4 USD	