

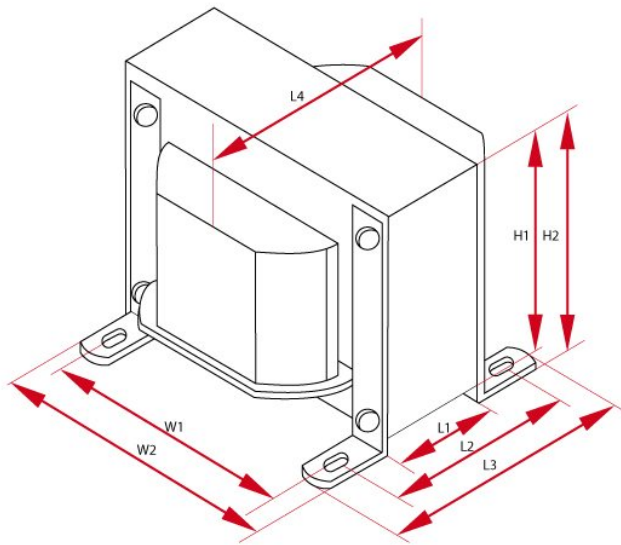
LO PP40-2

The transformer is made on the annealed cores, thickness of laminations 0.3 mm .

Caption

sizes	overall dimensions	I_{max}	maximum current
UL	peel off the ultra-linear	$k_{n:n}$	transmission
L_{aa}	inductance of the anode-anode, $f=120\text{Hz}$	core	core type
Z_{aa}	anode-anode impedance	price	price
f_{max}	maximum frequency	R_{aa}	resistance of the anode-anode
R_o	load resistance	f_{min}	minimum frequency
P_{max}	maximum power	weight	approximate weight

Specyfikacje



Push Pull - LO PP40-2							
P_{max}	Z_a	I_{max}	R_{aa}	UL	$k_{n:n}$	R_o	L_a
40 W	8000 Ω	200 mA	173 Ω	43 %	47.7:1, 31.6:1	4 and 8 Ω	44 H
f_{min}	f_{max}	Core	Size W	Size H	Size L	Weight	Count
15Hz @ -3dB	68kHz @ -3dB	EI84/42	W1 - 70 mm W2 - 84 mm W3 - 110 mm	H1 - 70 mm H2 - 74 mm	L1 - 42 mm L2 - 60 mm L3 - 72 mm L4 - 82 mm	1.8 kG	1
Price							
1-5 units		5+ units		10+ units		25+ units	
84.0 USD		79.8 USD		75.6 USD		71.4 USD	