

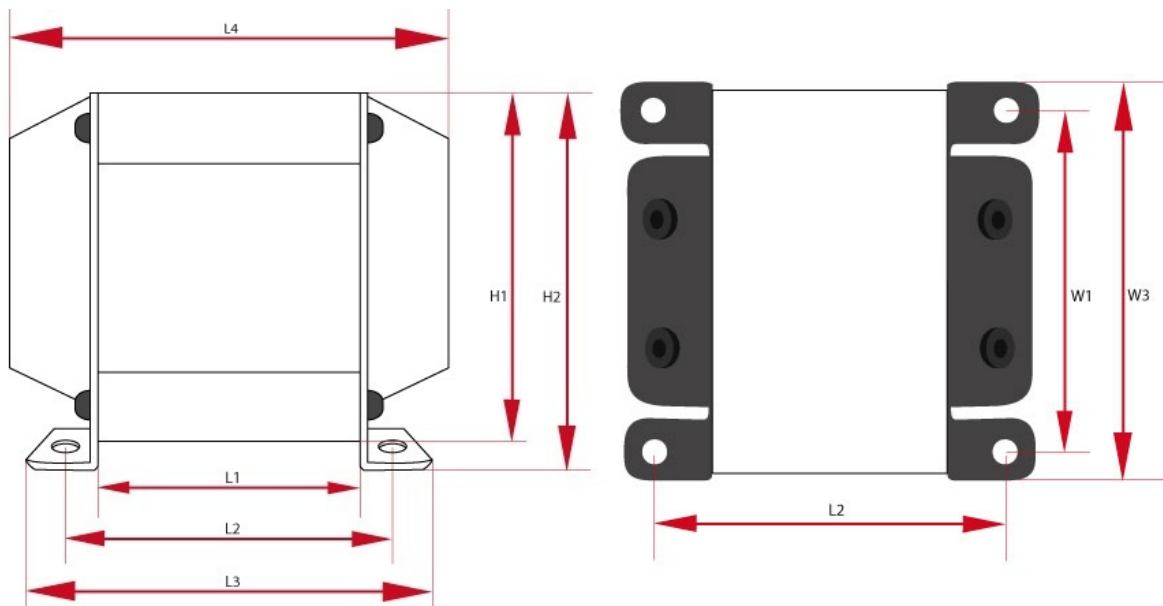
LO PP80-1

The transformer is made on the annealed cores, thickness of laminations 0.3 mm .

Caption

weight	approximate weight	P_{max}	maximum power
Z_{aa}	anode-anode impedance	R_{aa}	resistance of the anode-anode
I_{max}	maximum current	f_{min}	minimum frequency
f_{max}	maximum frequency	sizes	overall dimensions
$k_{n:n}$	transmission	L_{aa}	inductance of the anode-anode, $f=120\text{Hz}$
price	price	UL	peel off the ultra-linear
core	core type	R_o	load resistance

Specyfikacje



Push Pull - LO PP80-1 - wersja z dwoma deklami (PL)							
P_{max}	Z_a	I_{max}	R_{aa}	UL	$k_{n:n}$	R_o	L_a
80 W	4000 Ω	250 mA	120 Ω	43 %	31.6 : 1, 22.3 : 1	4 and 8 Ω	35 H
f_{min}	f_{max}	Core	Size W	Size H	Size L	Weight	Count
10Hz @ -3dB	60kHz @ -3dB	EI96/59	W1 - 110 mm W2 - 110 mm W3 - 110 mm	H1 - 110 mm H2 - 110 mm	L1 - 110 mm L2 - 110 mm L3 - 110 mm L4 - 110 mm	3.5 kG	1
Price							
1-5 units		5+ units		10+ units		25+ units	
115.0 USD		109.0 USD		103.0 USD		98.0 USD	



Push Pull - LO PP80-1 - wersja z dwoma deklami (DE)

P_{max}	Z_a	I_{max}	R_{aa}	UL	$k_{n:n}$	R_o	L_a
80 W	4000 Ω	250 mA	120 Ω	43 %	31.6 : 1, 22.3 : 1	4 and 8 Ω	35 H
f_{min}	f_{max}	Core	Size W	Size H	Size L	Weight	Count
10Hz @ -3dB	60kHz @ -3dB	E196/59	W1 - 110 mm W2 - 110 mm W3 - 110 mm	H1 - 110 mm H2 - 110 mm	L1 - 110 mm L2 - 110 mm L3 - 110 mm L4 - 110 mm	3.5 kg	1
Price							
1-5 units		5+ units		10+ units		25+ units	
115.0 USD		109.0 USD		103.0 USD		98.0 USD	