

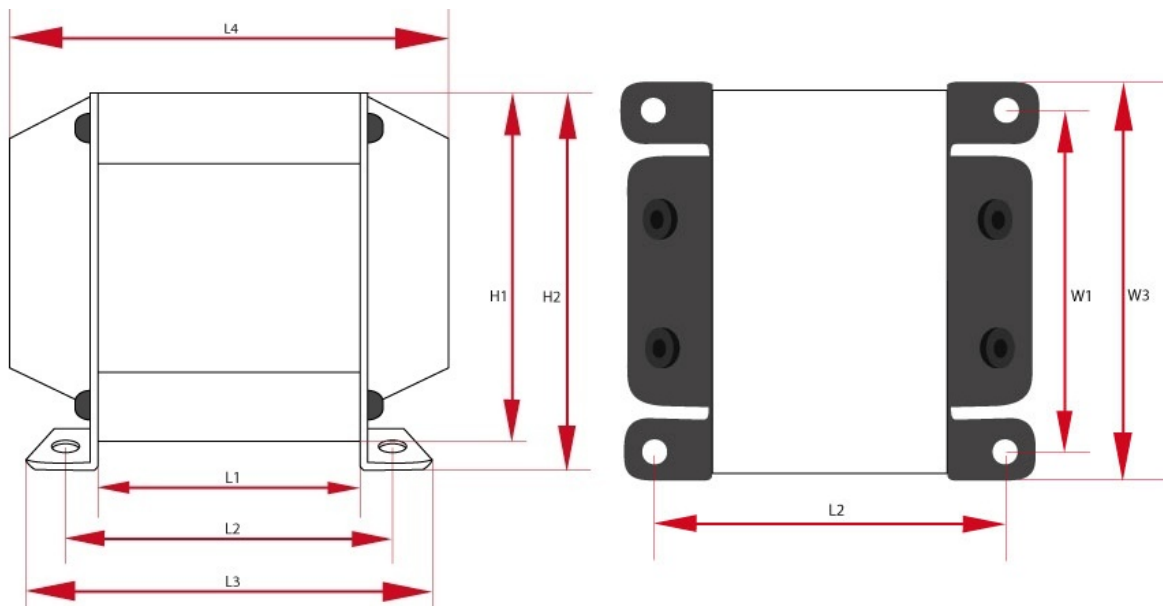
LO PP80-3

The transformer is made on the annealed cores, thickness of laminations 0.3 mm .

Caption

sizes	overall dimensions	I_{max}	maximum current
UL	peel off the ultra-linear	$k_{n:n}$	transmission
L_{aa}	inductance of the anode-anode, $f=120\text{Hz}$	core	core type
Z_{aa}	anode-anode impedance	price	price
f_{max}	maximum frequency	R_{aa}	resistance of the anode-anode
R_o	load resistance	f_{min}	minimum frequency
P_{max}	maximum power	weight	approximate weight

Specyfikacje



Push Pull - PP80-3 - wersja z dwoma deklami (PL)							
P_{max}	Z_a	I_{max}	R_{aa}	UL	$k_{n:n}$	R_o	L_a
80 W	1200 Ω	500 mA	47 Ω	-	17 : 1, 12 : 1	4 and 8 Ω	21 H
f_{min}	f_{max}	Core	Size W	Size H	Size L	Weight	Count
8Hz @ -3dB 15Hz @ +/-1dB	66kHz @ -3dB 47kHz @ +/-1dB	EI96/59	W1 -- mm W2 -- mm W3 -- mm	H1 -- mm H2 -- mm	L1 -- mm L2 -- mm L3 -- mm L4 -- mm	3,5 kG	1
Price							
1-5 units		5+ units		10+ units		25+ units	
115.0 USD		109.0 USD		103.0 USD		98.0 USD	



Push Pull - PP80-3 - wersja z dwoma deklami (DE)

P_{max}	Z_a	I_{max}	R_{aa}	UL	$k_{n:n}$	R_o	L_a
80 W	1200 Ω	500 mA	47 Ω	-	17 : 1, 12 : 1	4 and 8 Ω	21 H
f_{min}	f_{max}	Core	Size W	Size H	Size L	Weight	Count
8Hz @ -3dB 15Hz @ +/-1dB	66kHz @ -3dB 47kHz @ +/-1dB	E196/59	W1 -- mm W2 -- mm W3 -- mm	H1 -- mm H2 -- mm	L1 -- mm L2 -- mm L3 -- mm L4 -- mm	3,5 kg	1
Price							
1-5 units		5+ units		10+ units		25+ units	
115.0 USD		109.0 USD		103.0 USD		98.0 USD	