

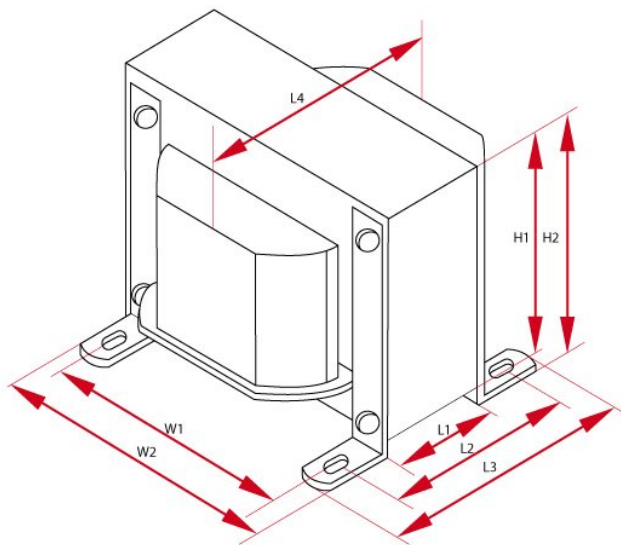
LO PP80-3

The transformer is made on the annealed cores, thickness of laminations 0.3 mm .

Caption

UL	peel off the ultra-linear	f_{min}	minimum frequency
sizes	overall dimensions	price	price
R_o	load resistance	Z_{aa}	anode-anode impedance
I_{max}	maximum current	R_{aa}	resistance of the anode-anode
$k_{n:n}$	transmission	weight	approximate weight
f_{max}	maximum frequency	core	core type
L_{aa}	inductance of the anode-anode, $f=120\text{Hz}$	P_{max}	maximum power

Specyfikacje



Push Pull - PP80-3							
P_{max}	Z_a	I_{max}	R_{aa}	UL	$k_{n:n}$	R_o	L_a
80 W	1200 Ω	500 mA	47 Ω	-	17 : 1, 12 : 1	4 and 8 Ω	21 H
f_{min}	f_{max}	Core	Size W	Size H	Size L	Weight	Count
8Hz @ -3dB 15Hz @ +/-1dB	66kHz @ -3dB 47kHz @ +/-1dB	EI96/59	W1 - 80 mm W2 - 96 mm W3 - - mm	H1 - 80 mm H2 - 84 mm	L1 - 59 mm L2 - 90 mm L3 - 106 mm L4 - 94 mm	3,5 kG	1
Price							
1-5 units		5+ units		10+ units		25+ units	
115.0 USD		109.0 USD		103.0 USD		98.0 USD	