

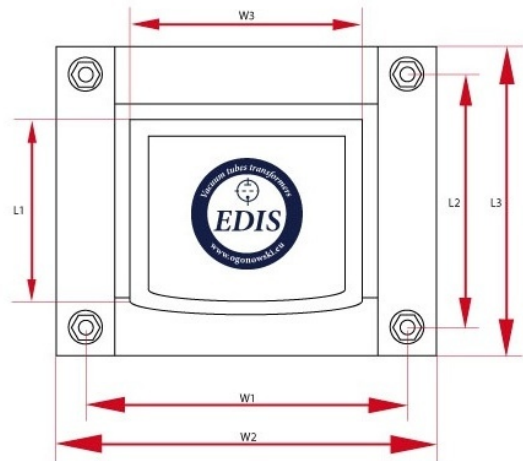
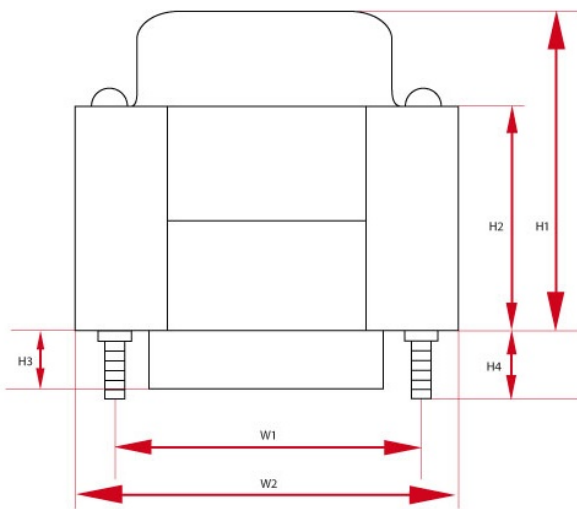
300B SE

Idel chance to set-based SE amplifier 300B with stabilized lamp filament, and the rectifier tube (eg 5u4gb).

Caption

price	price	$U_{n/In}$	output voltage for current
sizes	overall dimensions	L	inductance, $f = 120\text{Hz}$
R_o	load resistance	core	core type
L_a	anode inductance, $f = 120\text{Hz}$	sizes	overall dimensions
P_{max}	maximum power	core	core type
f_{min}	minimum frequency	weight	approximate weight
Z_a	Anode impedance	f_{max}	maximum frequency
price	price	I_{max}	maximum current
I_{max}	maximum current	core	core type
R	resistance	P_{max}	maximum power
R_a	anode resistance	sizes	overall dimensions
price	price	U_{we}	input voltage
UL	peel off the ultra-linear	weight	approximate weight
weight	approximate weight	f_{zas}	operating frequency
$k_{n:n}$	transmission		

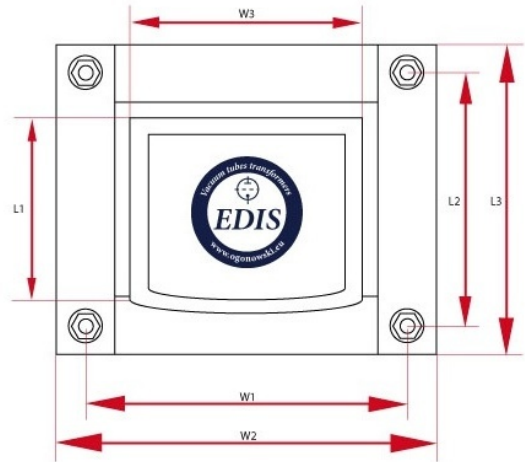
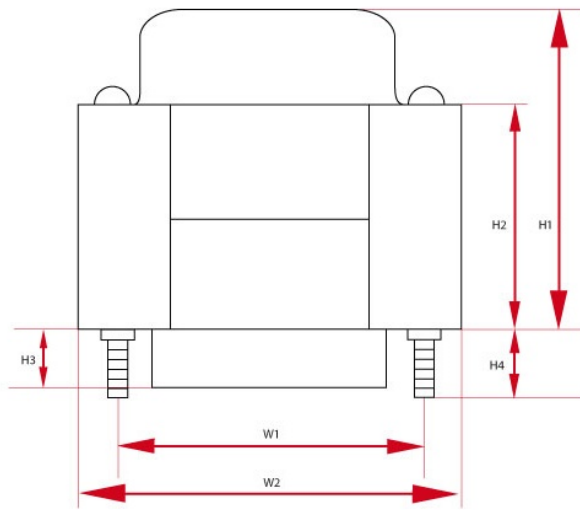
Specyfikacje



Power Transformer - TS120-5/10 - wersja z jednym dekielkiem (PL)

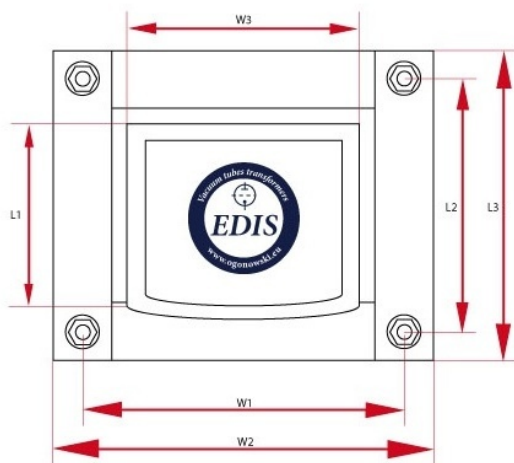
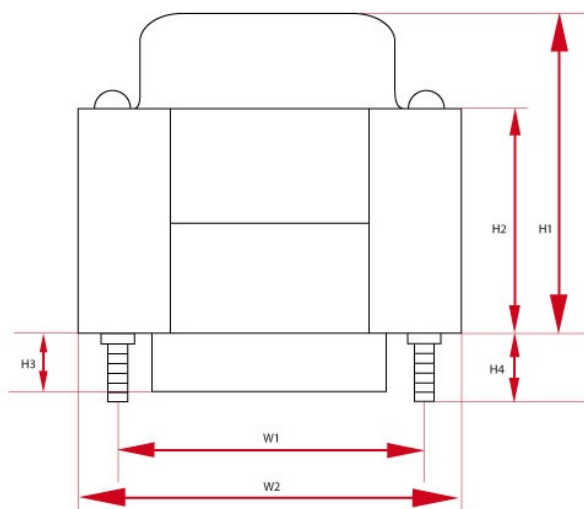
P_{max}	U_{in}	F_z	Core	Size W	Size H	Size L	Weight
120 W	230 V	50 Hz	EI96/35	W1 - 110 mm W2 - 110 mm W3 - 110 mm	H1 - 110 mm H2 - 110 mm	L1 - 110 mm L2 - 110 mm L3 - 110 mm L4 - 110 mm	3.5 kg

U _{a1}	U _{a2}	U _{a3}	U _{a4}	U _{a5}	U _{a6}	U _{a7}	U _{a8}
400-380-0-380-400/0.2A	6.3V/1A	8V/2A	5V/3A	-	-	-	-
Oslona	Count						
-	2						



Power Transformer - TS120-5/10 - wersja z jednym dekielkiem (DE)

P_{max}	U_{in}	F_z	Core	Size W	Size H	Size L	Weight
120 W	230 V	50 Hz	EI96/35	W1 - 110 mm W2 - 110 mm W3 - 110 mm	H1 - 110 mm H2 - 110 mm	L1 - 110 mm L2 - 110 mm L3 - 110 mm L4 - 110 mm	3.5 kg
U_{a1}	U_{a2}	U_{a3}	U_{a4}	U_{a5}	U_{a6}	U_{a7}	U_{a8}
400-380-0-380-400/0.2A	6.3V/1A	8V/2A	5V/3A	-	-	-	-
Ostona	Count						
-	2						



Choke - D8-1 - wersja z jednym dekielkiem

L	R	I_{\max}	Core	Size W	Size H	Size L	Weight	Count
8 H	80 Ω	0.15mA mA	EI66/32	W1 - 110 mm W2 - 110 mm W3 - 110 mm	H1 - 110 mm H2 - 110 mm	L1 - 110 mm L2 - 110 mm L3 - 110 mm L4 - 110 mm	1.2 kG	2