

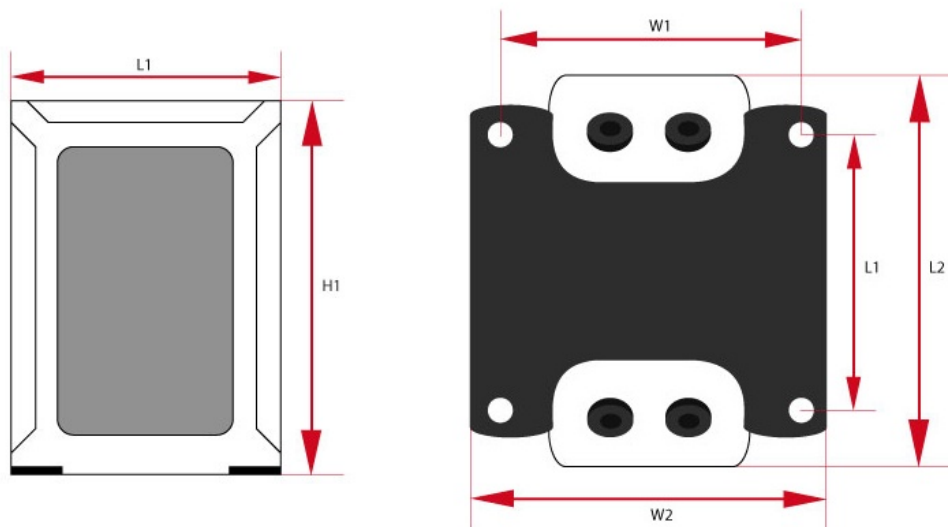
## 300B SE

Idel chance to set-based SE amplifier 300B with stabilized lamp filament, and the rectifier tube (eg 5u4gb).

## Caption

price	price	$I_{max}$	maximum current
$P_{max}$	maximum power	core	core type
$P_{max}$	maximum power	$R_a$	anode resistance
$I_{max}$	maximum current	sizes	overall dimensions
$U_{we}$	input voltage	UL	peel off the ultra-linear
core	core type	weight	approximate weight
$f_{zas}$	operating frequency	$k_{n,n}$	transmission
R	resistance	price	price
$U_{n/In}$	output voltage for current	$R_o$	load resistance
price	price	core	core type
$L_a$	anode inductance, f = 120Hz	L	inductance, f = 120Hz
sizes	overall dimensions	sizes	overall dimensions
$f_{min}$	minimum frequency	$Z_a$	Anode impedance
weight	approximate weight	weight	approximate weight
$f_{max}$	maximum frequency		

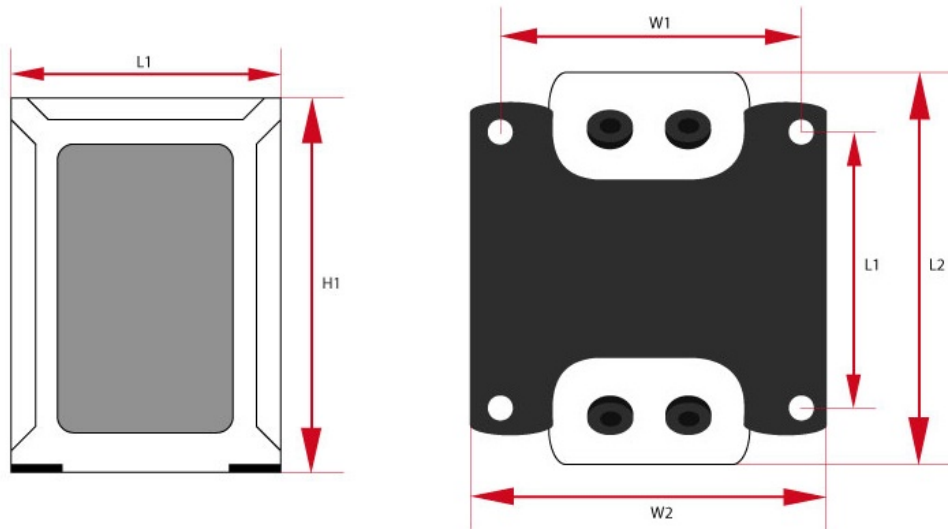
## Specyfikacje



### Power Transformer - TS120-5/10 - wersja z dwoma deklami (PL)

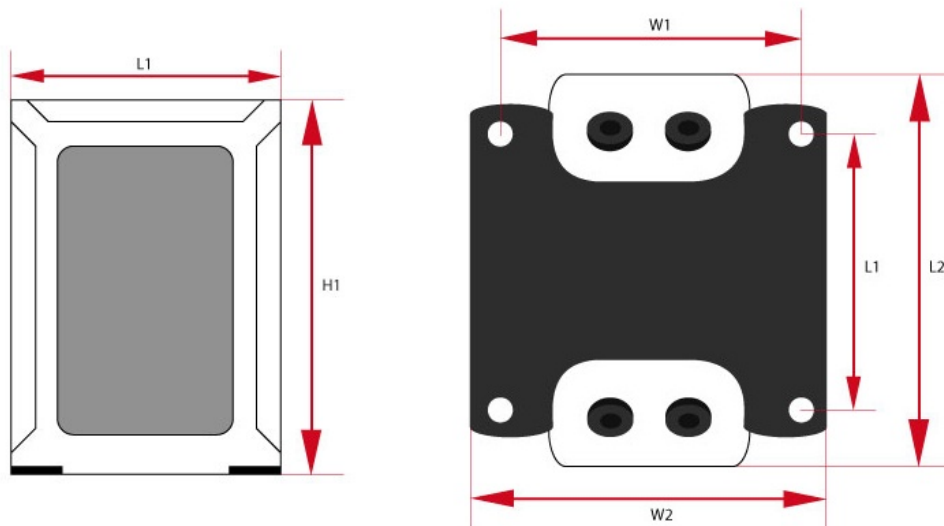
$P_{max}$	$U_{in}$	$F_z$	Core	Size W	Size H	Size L	Weight
120 W	230 V	50 Hz	EI96/35	W1 - 110 mm W2 - 110 mm W3 - 110 mm	H1 - 110 mm H2 - 110 mm	L1 - 110 mm L2 - 110 mm L3 - 110 mm L4 - 110 mm	3.5 kg

U <sub>a1</sub>	U <sub>a2</sub>	U <sub>a3</sub>	U <sub>a4</sub>	U <sub>a5</sub>	U <sub>a6</sub>	U <sub>a7</sub>	U <sub>a8</sub>
400-380-0-380-400/0.2A	6.3V/1A	8V/2A	5V/3A	-	-	-	-
Oslona	Count						
-	2						



Power Transformer - TS120-5/10 - wersja z dwoma deklami (DE)

$P_{max}$	$U_{in}$	$F_z$	Core	Size W	Size H	Size L	Weight
120 W	230 V	50 Hz	EI96/35	W1 - 110 mm W2 - 110 mm W3 - 110 mm	H1 - 110 mm H2 - 110 mm	L1 - 110 mm L2 - 110 mm L3 - 110 mm L4 - 110 mm	3.5 kg
$U_{a1}$	$U_{a2}$	$U_{a3}$	$U_{a4}$	$U_{a5}$	$U_{a6}$	$U_{a7}$	$U_{a8}$
400-380-0-380-400/0.2A	6.3V/1A	8V/2A	5V/3A	-	-	-	-
Ostona	Count						
-	2						



Choke - D8-1 - wersja z dwoma deklami

L	R	$I_{\max}$	Core	Size W	Size H	Size L	Weight	Count
8 H	80 $\Omega$	0.15mA mA	EI66/32	W1 - 110 mm W2 - 110 mm W3 - 110 mm	H1 - 110 mm H2 - 110 mm	L1 - 110 mm L2 - 110 mm L3 - 110 mm L4 - 110 mm	1.2 kG	2