

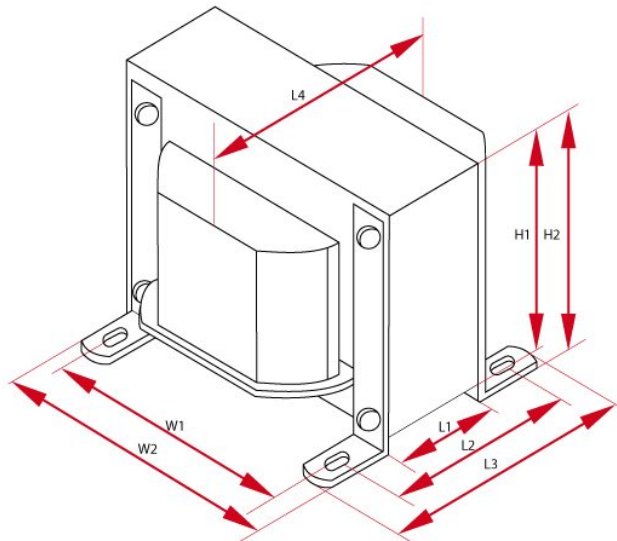
300B SE

Idel chance to set-based SE amplifier 300B with stabilized lamp filament, and the rectifier tube (eg 5u4gb).

Caption

price	price	I_{max}	maximum current
P_{max}	maximum power	core	core type
P_{max}	maximum power	R_a	anode resistance
I_{max}	maximum current	sizes	overall dimensions
U_{we}	input voltage	UL	peel off the ultra-linear
core	core type	weight	approximate weight
f_{zas}	operating frequency	$k_{n,n}$	transmission
R	resistance	price	price
$U_{n/In}$	output voltage for current	R_o	load resistance
price	price	core	core type
L_a	anode inductance, $f = 120Hz$	L	inductance, $f = 120Hz$
sizes	overall dimensions	sizes	overall dimensions
f_{min}	minimum frequency	Z_a	Anode impedance
weight	approximate weight	weight	approximate weight
f_{max}	maximum frequency		

Specyfikacje



Choke - D8-1								
L	R	I_{max}	Core	Size W	Size H	Size L	Weight	Count
8 H	80 Ω	0.15mA mA	EI66/32	W1 - 90 mm W2 - 90 mm W3 - 110 mm	H1 - 90 mm H2 - 90 mm	L1 - 90 mm L2 - 90 mm L3 - 90 mm L4 - - mm	1.2 kG	2

