

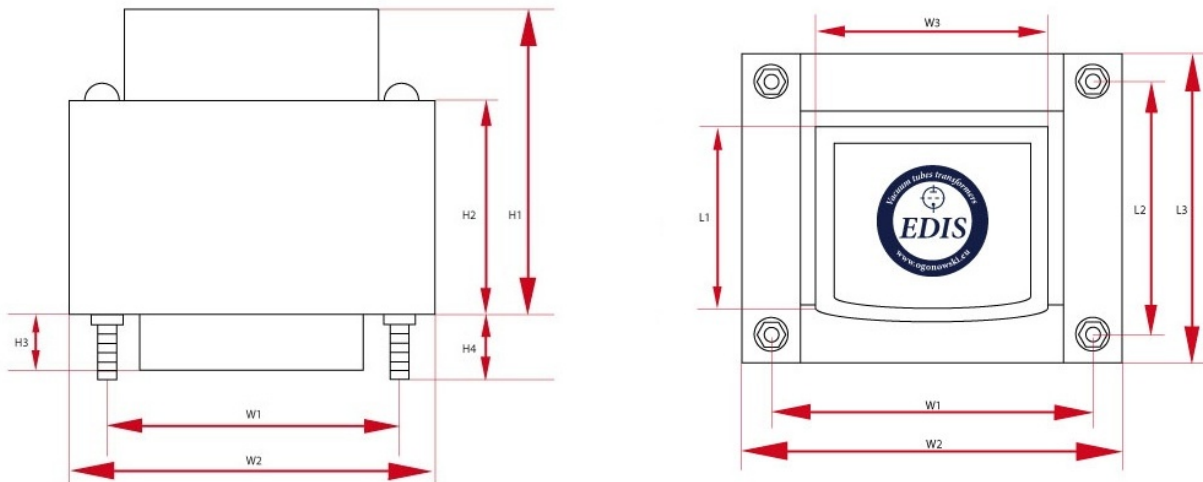
LO SE100-1

Ideal for amplifiers on GM70 tubes and 845 or 211. The transformer is made on the annealed cores, thickness of laminations 0.3 mm .

Caption

f_{max}	maximum frequency	L_a	anode inductance, $f = 120\text{Hz}$
price	price	P_{max}	maximum power
core	core type	I_{max}	maximum current
R_o	load resistance	$k_{n:n}$	transmission
sizes	overall dimensions	Z_a	Anode impedance
weight	approximate weight	UL	peel off the ultra-linear
R_a	anode resistance	f_{min}	minimum frequency

Specyfikacje



Single Ended - LO SE100-1 - wersja z jednym dekielkiem (PL)							
P_{max}	Z_a	I_{max}	R_a	UL	$k_{n:n}$	R_o	L_a
100 W	7000 Ω	0,2 mA	170 Ω	-	41,8:1, 29,6:1	4 and 8 Ω	30 H
f_{min}	f_{max}	Core	Size W	Size H	Size L	Weight	Count
15Hz @ -3dB 20Hz @ +/-1dB	65kHz @ -3dB 40kHz @ +/-1dB	E1120/73pl	W1 -- mm W2 -- mm W3 -- mm	H1 -- mm H2 -- mm	L1 -- mm L2 -- mm L3 -- mm L4 -- mm	7 kg	1
Price							
1-5 units		5+ units		10+ units		25+ units	
192.0 USD		182.0 USD		173.0 USD		163.0 USD	



Single Ended - LO SE100-1 - wersja z jednym dekielkiem (DE)

P_{max}	Z_a	I_{max}	R_a	UL	$k_{n:n}$	R_o	L_a
100 W	7000 Ω	0,2 mA	170 Ω	-	41,8:1, 29,6:1	4 and 8 Ω	30 H
f_{min}	f_{max}	Core	Size W	Size H	Size L	Weight	Count
15Hz @ -3dB 20Hz @ +/-1dB	65kHz @ -3dB 40kHz @ +/-1dB	EI120/73de	W1 -- mm W2 -- mm W3 -- mm	H1 -- mm H2 -- mm	L1 -- mm L2 -- mm L3 -- mm L4 -- mm	7 kg	1
Price							
1-5 units		5+ units		10+ units		25+ units	
192.0 USD		182.0 USD		173.0 USD		163.0 USD	