

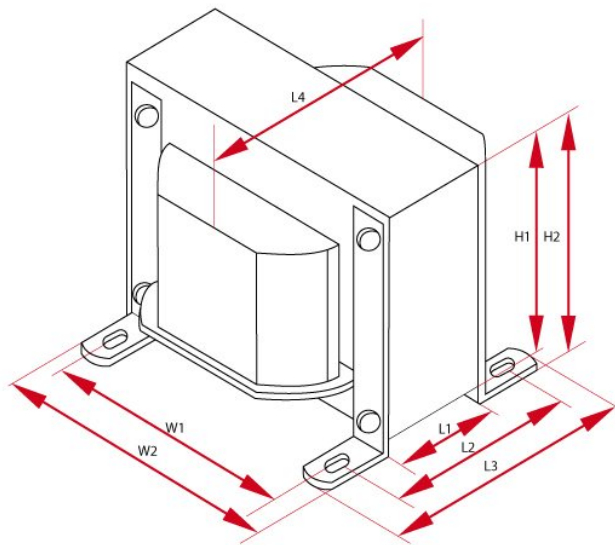
## LO SE100-1

Ideal for amplifiers on GM70 tubes and 845 or 211. The transformer is made on the annealed cores, thickness of laminations 0.3 mm .

## Caption

weight	approximate weight	price	price
sizes	overall dimensions	$k_{n:n}$	transmission
$f_{min}$	minimum frequency	$I_{max}$	maximum current
core	core type	$P_{max}$	maximum power
$R_a$	anode resistance	UL	peel off the ultra-linear
$R_o$	load resistance	$f_{max}$	maximum frequency
$L_a$	anode inductance, $f = 120\text{Hz}$	$Z_a$	Anode impedance

## Specyfikacje



Single Ended - LO SE100-1							
$P_{max}$	$Z_a$	$I_{max}$	$R_a$	UL	$k_{n:n}$	$R_o$	$L_a$
100 W	7000 $\Omega$	0,2 mA	170 $\Omega$	-	41,8:1, 29,6:1	4 and 8 $\Omega$	30 H
$f_{min}$	$f_{max}$	Core	Size W	Size H	Size L	Weight	Count
15Hz @ -3dB 20Hz @ +/-1dB	65kHz @ -3dB 40kHz @ +/-1dB	EI120/73	W1 - 100 mm W2 - 120 mm W3 - - mm	H1 - 100 mm H2 - 104 mm	L1 - 73 mm L2 - 103.5 mm L3 - 120 mm L4 - 120 mm	7 kg	1
Price							
1-5 units		5+ units		10+ units		25+ units	
192.0 USD		182.0 USD		173.0 USD		163.0 USD	