

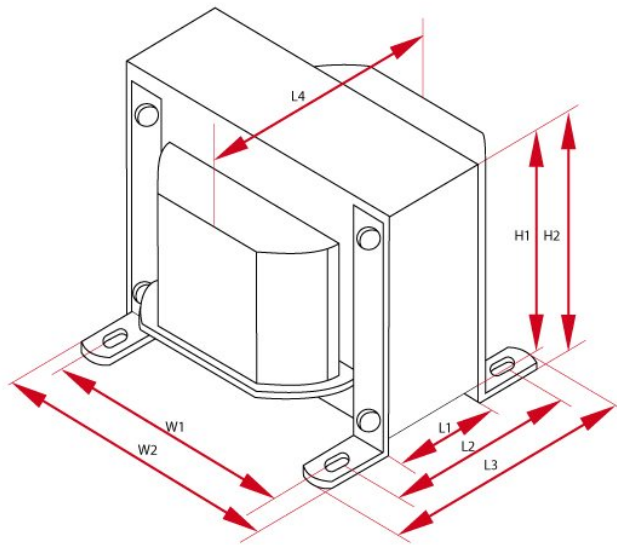
LO SE25-3

The transformer is made on the annealed cores , thickness of laminations 0.23 mm . Fits to the transformer cover OT-12 (accessories section). Ideal for amplifiers on 300B tubes and EL34.

Caption

f_{max}	maximum frequency	L_a	anode inductance, $f = 120\text{Hz}$
price	price	P_{max}	maximum power
core	core type	I_{max}	maximum current
R_o	load resistance	$k_{n:n}$	transmission
sizes	overall dimensions	Z_a	Anode impedance
weight	approximate weight	UL	peel off the ultra-linear
R_a	anode resistance	f_{min}	minimum frequency

Specyfikacje



Single Ended - LO SE25-3							
P_{max}	Z_a	I_{max}	R_a	UL	$k_{n:n}$	R_o	L_a
25 W	3000 Ω	200 mA	130 Ω	-	27:1, 19:1	4 i 8 Ω	24 H
f_{min}	f_{max}	Core	Size W	Size H	Size L	Weight	Count
10Hz @ -3dB 20Hz @ +/-1dB	60kHz @ -3dB 20kHz @ +/-1dB	CC	W1 - 83 mm W2 - 108 mm W3 - 110 mm	H1 - 90 mm H2 - 98 mm	L1 - 50 mm L2 - 63 mm L3 - 75 mm L4 - 106 mm	3.5 kG	1
Price							
1-5 units		5+ units		10+ units		25+ units	
125.0 USD		119.0 USD		113.0 USD		106.0 USD	