

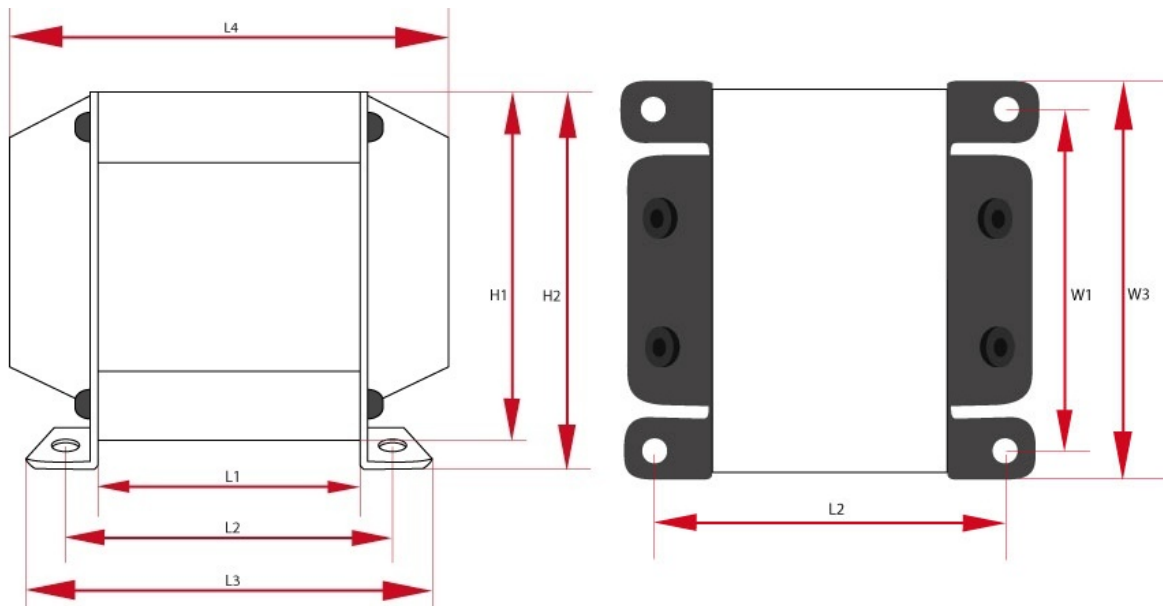
LO SE25-5

The transformer is made on the annealed cores, thickness of laminations 0.3 mm . ideally suited to build a SE amp on 300B tubes, EL34 and KT88.

Caption

Z_a	Anode impedance	R_a	anode resistance
f_{min}	minimum frequency	$k_{n:n}$	transmission
price	price	f_{max}	maximum frequency
P_{max}	maximum power	UL	peel off the ultra-linear
I_{max}	maximum current	sizes	overall dimensions
core	core type	weight	approximate weight
L_a	anode inductance, $f = 120\text{Hz}$	R_o	load resistance

Specyfikacje



Single Ended - LO SE25-5 - wersja z dwoma deklami (PL)							
P_{max}	Z_a	I_{max}	R_a	UL	$k_{n:n}$	R_o	L_a
25 W	2500 Ω	200 mA	140 Ω	-	17,6 : 1	8 Ω	15 H
f_{min}	f_{max}	Core	Size W	Size H	Size L	Weight	Count
15Hz @ -3dB 25Hz @ +/-1dB	55kHz @ -3dB 18kHz @ +/-1dB	EI84/42pl	W1 - 110 mm W2 - 110 mm W3 - 110 mm	H1 - 110 mm H2 - 110 mm	L1 - 110 mm L2 - 110 mm L3 - 110 mm L4 - 110 mm	1.85 kG	1
Price							
1-5 units		5+ units		10+ units		25+ units	
84.0 USD		79.8 USD		75.6 USD		71.4 USD	



Single Ended - LO SE25-5 - wersja z dwoma deklami (DE)

P_{max}	Z_a	I_{max}	R_a	UL	$K_{n:n}$	R_o	L_a
25 W	2500 Ω	200 mA	140 Ω	-	17,6 : 1	8 Ω	15 H
f_{min}	f_{max}	Core	Size W	Size H	Size L	Weight	Count
15Hz @ -3dB 25Hz @ +/-1dB	55kHz @ -3dB 18kHz @ +/-1dB	EI84/42de	W1 - 110 mm W2 - 110 mm W3 - 110 mm	H1 - 110 mm H2 - 110 mm	L1 - 110 mm L2 - 110 mm L3 - 110 mm L4 - 110 mm	1.85 kG	1
Price							
1-5 units		5+ units		10+ units		25+ units	
84.0 USD		79.8 USD		75.6 USD		71.4 USD	