

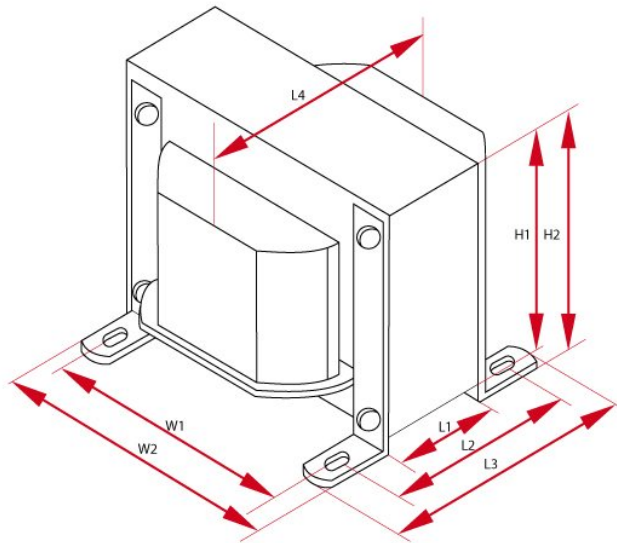
LO SE25-5

The transformer is made on the annealed cores, thickness of laminations 0.3 mm . ideally suited to build a SE amp on 300B tubes, EL34 and KT88.

Caption

weight	approximate weight	price	price
sizes	overall dimensions	$k_{n:n}$	transmission
$f_{min}$	minimum frequency	$I_{max}$	maximum current
core	core type	$P_{max}$	maximum power
$R_a$	anode resistance	UL	peel off the ultra-linear
$R_o$	load resistance	$f_{max}$	maximum frequency
$L_a$	anode inductance, $f = 120\text{Hz}$	$Z_a$	Anode impedance

Specyfikacje



Single Ended - LO SE25-5							
$P_{max}$	$Z_a$	$I_{max}$	$R_a$	UL	$k_{n:n}$	$R_o$	$L_a$
25 W	2500 $\Omega$	200 mA	140 $\Omega$	-	17,6 : 1	8 $\Omega$	15 H
$f_{min}$	$f_{max}$	Core	Size W	Size H	Size L	Weight	Count
15Hz @ -3dB 25Hz @ +/-1dB	55kHz @ -3dB 18kHz @ +/-1dB	EI84/42	W1 - 70 mm W2 - 84 mm W3 - 110 mm	H1 - 70 mm H2 - 74 mm	L1 - 42 mm L2 - 60 mm L3 - 72 mm L4 - 82 mm	1.85 kG	1
Price							
1-5 units		5+ units		10+ units		25+ units	
84.0 USD		79.8 USD		75.6 USD		71.4 USD	