

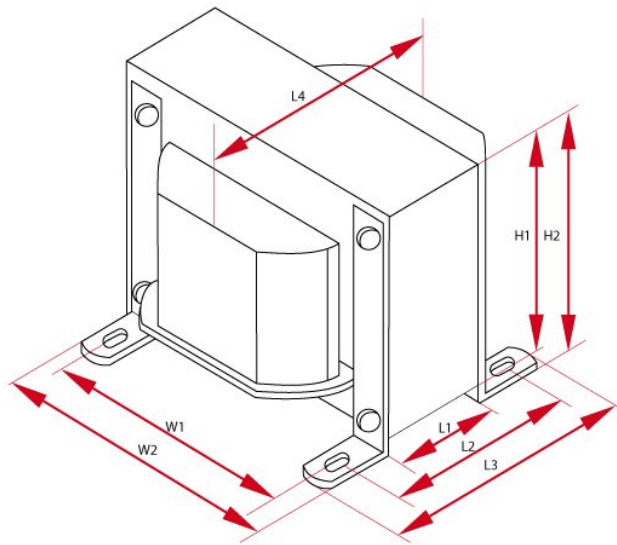
LO SE50-1

The transformer is made on the annealed cores , thickness of laminations 0.23 mm . Fits to the transformer cover OT-12 (accessories section). Transformer wound on a core CC, ideal for the construction of the amplifier to the wonderful both sonically and visually lamp 6C33C-b.

Caption

P_{max}	maximum power	Z_a	Anode impedance
R_a	anode resistance	I_{max}	maximum current
R_o	load resistance	f_{min}	minimum frequency
core	core type	weight	approximate weight
UL	peel off the ultra-linear	$k_{n:n}$	transmission
f_{max}	maximum frequency	L_a	anode inductance, $f = 120\text{Hz}$
sizes	overall dimensions	price	price

Specyfikacje



Single Ended - LO SE50-1							
P_{max}	Z_a	I_{max}	R_a	UL	$k_{n:n}$	R_o	L_a
50 W	600 Ω	500 mA	44 Ω	-	12:1 , 8:1	4 and 8 Ω	8 H
f_{min}	f_{max}	Core	Size W	Size H	Size L	Weight	Count
10Hz @ -3dB 20Hz @ +/-1dB	60kHz @ -3dB 20kHz @ +/-1dB	CC	W1 - 83 mm W2 - 108 mm W3 - 110 mm	H1 - 90 mm H2 - 98 mm	L1 - 50 mm L2 - 63 mm L3 - 75 mm L4 - 106 mm	3.5 kG	1
Price							
1-5 units		5+ units		10+ units		25+ units	
125.0 USD		119.0 USD		113.0 USD		106.0 USD	