

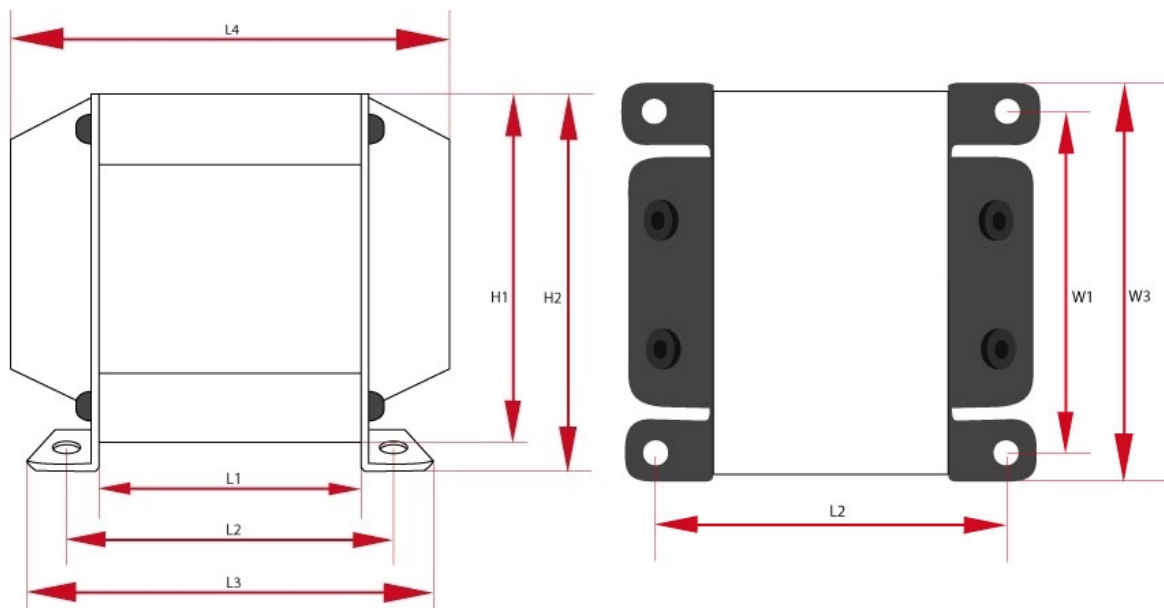
LO SE50-3

The transformer is made on the annealed cores, thickness of laminations 0.3 mm . ideal for amplifier 300B, EL34, KT88.

Caption

weight	approximate weight	price	price
sizes	overall dimensions	$k_{n:n}$	transmission
$f_{min}$	minimum frequency	$I_{max}$	maximum current
core	core type	$P_{max}$	maximum power
$R_a$	anode resistance	UL	peel off the ultra-linear
$R_o$	load resistance	$f_{max}$	maximum frequency
$L_a$	anode inductance, $f = 120\text{Hz}$	$Z_a$	Anode impedance

Specyfikacje



Single Ended - LO SE50-3 - wersja z dwoma deklami (PL)							
$P_{max}$	$Z_a$	$I_{max}$	$R_a$	UL	$k_{n:n}$	$R_o$	$L_a$
50 W	2500 $\Omega$	200 mA	143 $\Omega$	43 %	25:1 , 17.6:1	4 and 8 $\Omega$	20 H
$f_{min}$	$f_{max}$	Core	Size W	Size H	Size L	Weight	Count
10Hz @ -3dB 20Hz @ +/-1dB	60kHz @ -3dB 20kHz @ +/-1dB	EI96/59pl	W1 - 110 mm W2 - 110 mm W3 - 110 mm	H1 - 110 mm H2 - 110 mm	L1 - 110 mm L2 - 110 mm L3 - 110 mm L4 - 110 mm	3.5 kg	1
Price							
1-5 units		5+ units		10+ units		25+ units	
115.0 USD		109.0 USD		103.0 USD		98.0 USD	



Single Ended - LO SE50-3 - wersja z dwoma deklami (DE)

$P_{max}$	$Z_a$	$I_{max}$	$R_a$	UL	$k_{n:n}$	$R_o$	$L_a$
50 W	2500 $\Omega$	200 mA	143 $\Omega$	43 %	25:1 , 17.6:1	4 and 8 $\Omega$	20 H
$f_{min}$	$f_{max}$	Core	Size W	Size H	Size L	Weight	Count
10Hz @ -3dB 20Hz @ +/-1dB	60kHz @ -3dB 20kHz @ +/-1dB	EI96/59de	W1 - 110 mm W2 - 110 mm W3 - 110 mm	H1 - 110 mm H2 - 110 mm	L1 - 110 mm L2 - 110 mm L3 - 110 mm L4 - 110 mm	3.5 kg	1
Price							
1-5 units		5+ units		10+ units		25+ units	
115.0 USD		109.0 USD		103.0 USD		98.0 USD	