

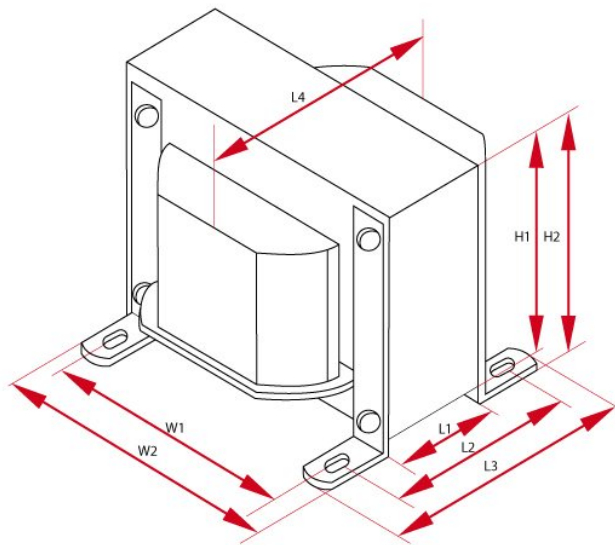
LO SE50-3

The transformer is made on the annealed cores, thickness of laminations 0.3 mm . ideal for amplifier 300B, EL34, KT88.

Caption

weight	approximate weight	price	price
sizes	overall dimensions	$k_{n:n}$	transmission
f_{min}	minimum frequency	I_{max}	maximum current
core	core type	P_{max}	maximum power
R_a	anode resistance	UL	peel off the ultra-linear
R_o	load resistance	f_{max}	maximum frequency
L_a	anode inductance, $f = 120\text{Hz}$	Z_a	Anode impedance

Specyfikacje



Single Ended - LO SE50-3							
P_{max}	Z_a	I_{max}	R_a	UL	$k_{n:n}$	R_o	L_a
50 W	2500 Ω	200 mA	143 Ω	43 %	25:1 , 17.6:1	4 and 8 Ω	20 H
f_{min}	f_{max}	Core	Size W	Size H	Size L	Weight	Count
10Hz @ -3dB 20Hz @ +/-1dB	60kHz @ -3dB 20kHz @ +/-1dB	EI96/59	W1 - 80 mm W2 - 96 mm W3 - 110 mm	H1 - 80 mm H2 - 84 mm	L1 - 59 mm L2 - 90 mm L3 - 106 mm L4 - 94 mm	3.5 kG	1
Price							
1-5 units		5+ units		10+ units		25+ units	
115.0 USD		109.0 USD		103.0 USD		98.0 USD	