

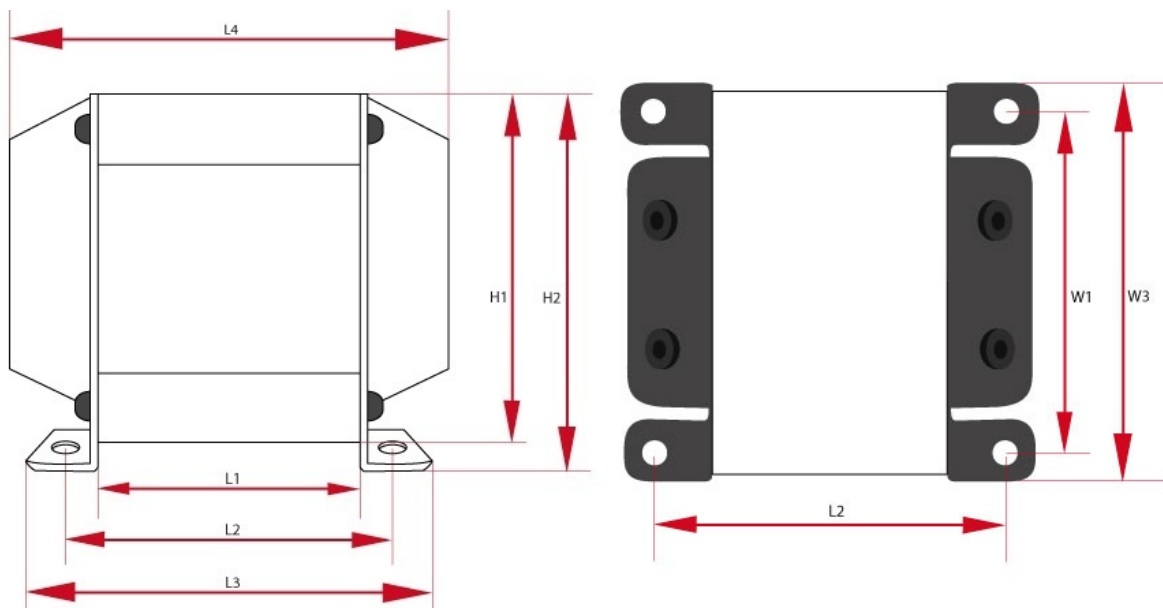
PP40-G1

Gitarren-Ra 8000Ω Transformier von 40W.

Legende

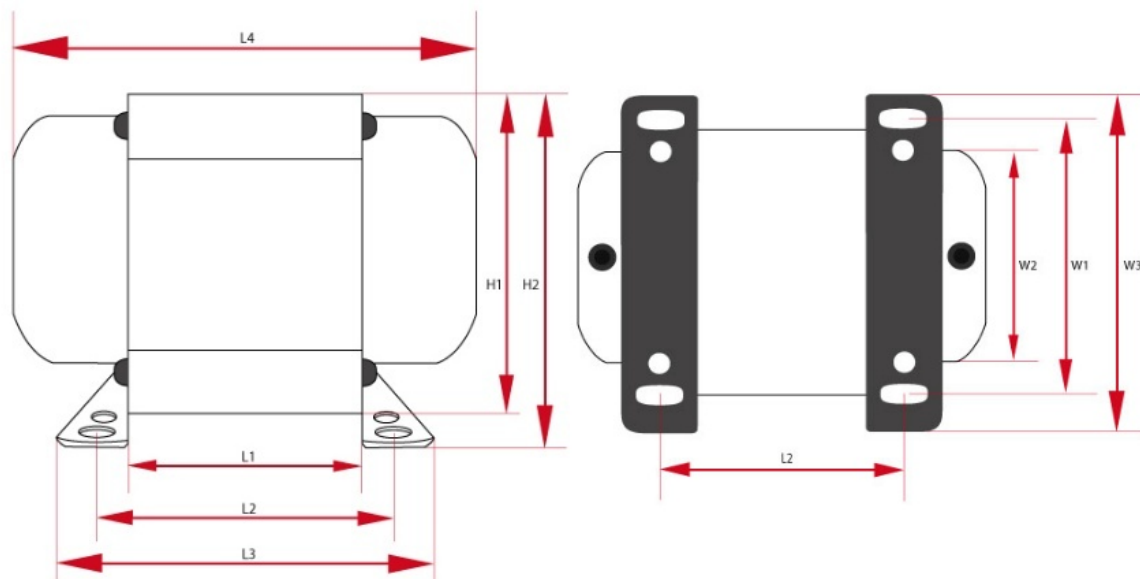
|           |                                  |           |                       |
|-----------|----------------------------------|-----------|-----------------------|
| $R_{aa}$  | Anode-Anode Resistenz            | $R_L$     | Lastresistenz         |
| $P_{max}$ | Max. Leistung                    | kern      | Kerntyp               |
| $L_{aa}$  | Andodeninduktivitaet bei f=120Hz | $f_{min}$ | Min. Frequenz         |
| $Z_{aa}$  | Anode-Anode Impedanz             | UL        | Ultralinear Anzapfung |
| $k_{n:n}$ | Uebersetzung                     | $I_{max}$ | Max. Anodenstrom      |
| $f_{max}$ | Max. Frequenz                    | gewicht   | Gesamtgewicht         |
| preis     | Preis inkl. Steuer               | groesse   | ca. Ausmessung        |

Specyfikacje



Push Pull - PP40-G1 - wersja z dwoma deklami (PL)

| $P_{max}$   | $Z_a$        | $I_{max}$ | $R_{aa}$                                  | UL                         | $k_{n:n}$                                                | $R_o$       | $L_a$      |
|-------------|--------------|-----------|-------------------------------------------|----------------------------|----------------------------------------------------------|-------------|------------|
| 40 W        | 8000 Ω       | -         | -                                         | -                          | -                                                        | 4, 8 i 16 Ω | -          |
| $f_{min}$   | $f_{max}$    | Kern      | Groesse W                                 | Groesse H                  | Groesse L                                                | Gewicht     | Stueckzahl |
| 30Hz @ -3dB | 30kHz @ -3dB | EI84/48   | W1 - 110 mm<br>W2 - 110 mm<br>W3 - 110 mm | H1 - 110 mm<br>H2 - 110 mm | L1 - 110 mm<br>L2 - 110 mm<br>L3 - 110 mm<br>L4 - 110 mm | 2 kg        | 1          |



Push Pull - PP40-G1 - wersja z dwoma deklami (DE)

| $P_{max}$   | $Z_a$         | $I_{max}$ | $R_{aa}$                                  | UL                         | $k_{n:n}$                                                | $R_o$              | $L_a$      |
|-------------|---------------|-----------|-------------------------------------------|----------------------------|----------------------------------------------------------|--------------------|------------|
| $f_{min}$   | $f_{max}$     | Kern      | Groesse W                                 | Groesse H                  | Groesse L                                                | Gewicht            | Stueckzahl |
| 40 W        | 8000 $\Omega$ | -         | -                                         | -                          | -                                                        | 4, 8 i 16 $\Omega$ | -          |
| 30Hz @ -3dB | 30kHz @ -3dB  | EI84/48   | W1 - 110 mm<br>W2 - 110 mm<br>W3 - 110 mm | H1 - 110 mm<br>H2 - 110 mm | L1 - 110 mm<br>L2 - 110 mm<br>L3 - 110 mm<br>L4 - 110 mm | 2 KG               | 1          |