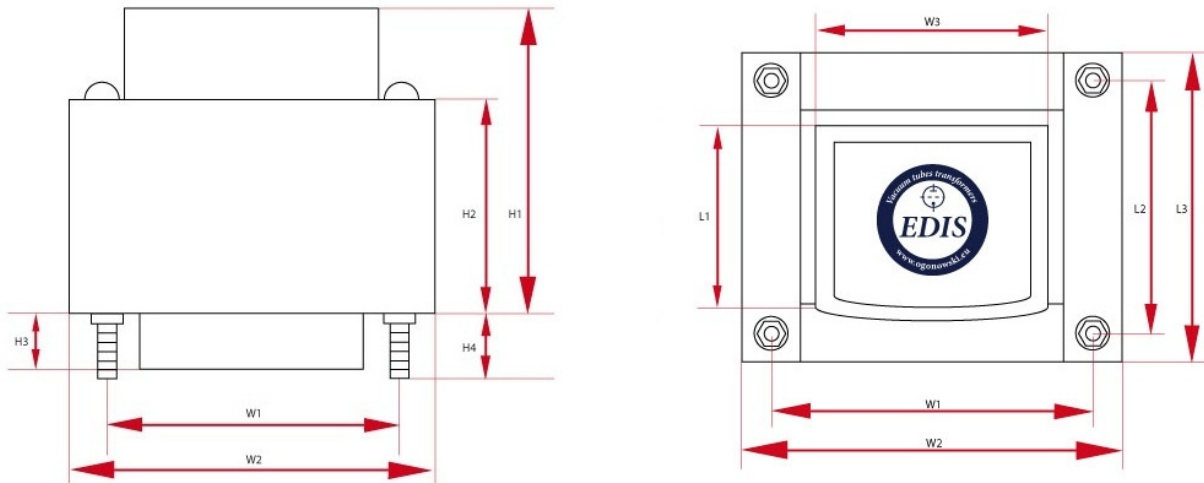


LO PP60-1

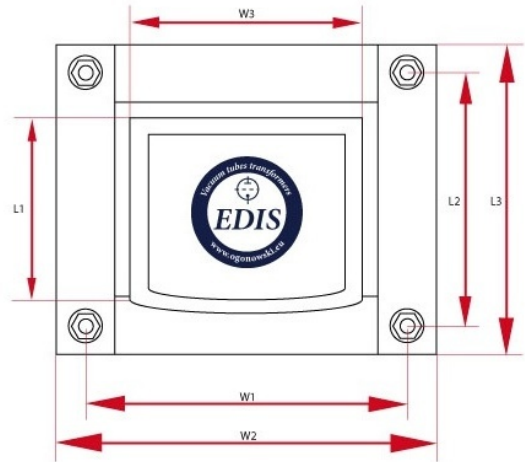
Legende

| | | | |
|-----------|-----------------------|-----------|--|
| gewicht | Gesamtgewicht | R_L | Lastresistenz |
| P_{max} | Max. Leistung | I_{max} | Max. Anodenstrom |
| UL | Ultralinear Anzapfung | $k_{n:n}$ | Uebersetzung |
| f_{min} | Min. Frequenz | f_{max} | Max. Frequenz |
| R_{aa} | Anode-Anode Resistenz | L_{aa} | Anodeninduktivitaet bei $f=120\text{Hz}$ |
| grosesse | ca. Ausmessung | preis | Preis inkl. Steuer |
| Z_{aa} | Anode-Anode Impedanz | kern | Kerntyp |

Specyfikacje



| Push Pull - LO PP60-1 - wersja z jednym dekielkiem (PL) | | | | | | | |
|---|--------------------------------|-----------|---|----------------------------|--|----------------|------------|
| P_{max} | Z_a | I_{max} | R_{aa} | UL | $k_{n:n}$ | R_o | L_a |
| 60 W | 6600 Ω | 200 mA | 155 Ω | 43 % | 40.6 : 1, 28.7 : 1 | 4 i 8 Ω | 47 H |
| f_{min} | f_{max} | Kern | Grosesse W | Grosesse H | Grosesse L | Gewicht | Stueckzahl |
| 10Hz @ -3dB 20Hz @ +/-1dB | 60kHz @ -3dB 20kHz @ +/-1dB | E196/59 | W1 - 110 mm W2 - 110 mm W3 - - mm | H1 - 110 mm H2 - 110 mm | L1 - 110 mm L2 - 110 mm L3 - 110 mm L4 - 110 mm | 3.5 kG | 1 |
| Preis | | | | | | | |
| 1-5 sztuk | | 5+ sztuk | | 10+ sztuk | | 25+ sztuk | |
| 165.0 EUR | | 157.0 EUR | | 149.0 EUR | | 140.0 EUR | |



Push Pull - LO PP60-1 - wersja z jednym dekielkiem (DE)

| P_{max} | Z_a | I_{max} | R_{aa} | UL | $k_{n:n}$ | R_o | L_a |
|------------------------------|--------------------------------|-----------|---|----------------------------|--|----------------|------------|
| 60 W | 6600 Ω | 200 mA | 155 Ω | 43 % | 40.6 : 1, 28.7 : 1 | 4 i 8 Ω | 47 H |
| f_{min} | f_{max} | Kern | Groesse W | Groesse H | Groesse L | Gewicht | Stueckzahl |
| 10Hz @ -3dB 20Hz @ +/-1dB | 60kHz @ -3dB 20kHz @ +/-1dB | EI96/59 | W1 - 110 mm W2 - 110 mm W3 - 110 mm | H1 - 110 mm H2 - 110 mm | L1 - 110 mm L2 - 110 mm L3 - 110 mm L4 - 110 mm | 3.5 KG | 1 |
| Preis | | | | | | | |
| 1-5 sztuk | | 5+ sztuk | | 10+ sztuk | | 25+ sztuk | |
| 165.0 EUR | | 157.0 EUR | | 149.0 EUR | | 140.0 EUR | |