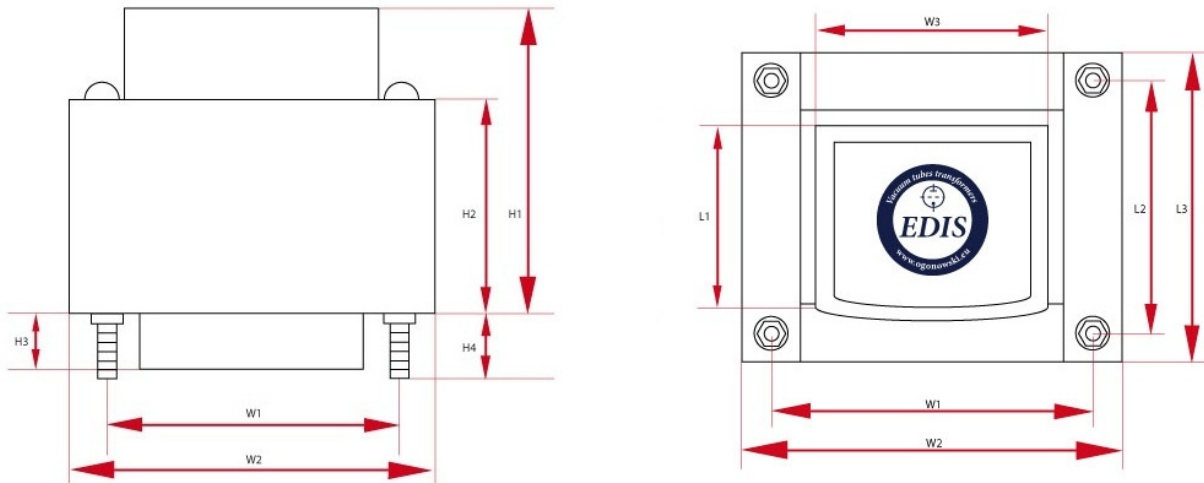


LO SE25-5

Legende

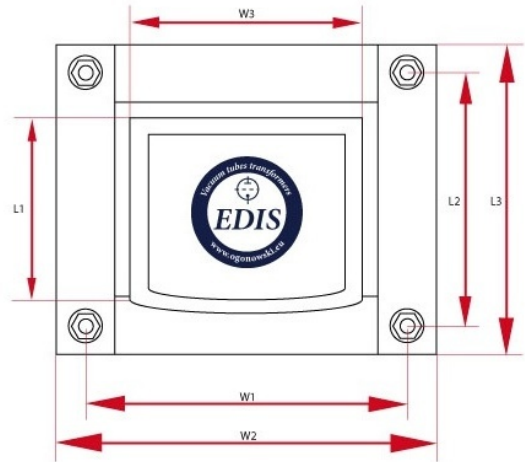
| | | | |
|------------|--------------------|------------|--|
| preis | Preis inkl. Steuer | $k_{n:n}$ | Uebersetzung |
| R_L | Lastresistenz | L_a | Anodeninduktivitaet bei $f = 120\text{Hz}$ |
| f_{\max} | Max. Frequenz | gewicht | Gesamtgewicht |
| Z_a | Anode Impedanz | UL | Ultrilinear Anzapfung |
| P_{\max} | Max. Leistung | I_{\max} | Max. Anodenstrom |
| kern | Kerntyp | f_{\min} | Min. Frequenz |
| groesse | ca. Ausmessung | R_a | Anodenresistenz |

Specyfikacje



Single Ended - LO SE25-5 - wersja z jednym dekielkiem (PL)

| P_{\max} | Z_a | I_{\max} | R_a | UL | $k_{n:n}$ | R_o | L_a |
|------------------------------|--------------------------------|------------|---|----------------------------|--|----------------|------------|
| 25 W | 2500 Ω | 200 mA | 130 Ω | - | 27:1, 19:1 | 4 i 8 Ω | 24 H |
| f_{\min} | f_{\max} | Kern | Groesse W | Groesse H | Groesse L | Gewicht | Stueckzahl |
| 10Hz @ -3dB 20Hz @ +/-1dB | 60kHz @ -3dB 20kHz @ +/-1dB | EI84/42pl | W1 - 110 mm W2 - 110 mm W3 - 110 mm | H1 - 110 mm H2 - 110 mm | L1 - 110 mm L2 - 110 mm L3 - 110 mm L4 - 110 mm | 2.0 kG | 1 |
| Preis | | | | | | | |
| 1-5 sztuk | | 5+ sztuk | | 10+ sztuk | | 25+ sztuk | |
| 120.0 EUR | | 114.0 EUR | | 108.0 EUR | | 102.0 EUR | |



Single Ended - LO SE25-5 - wersja z jednym dekielkiem (DE)

| P_{max} | Z_a | I_{max} | R_a | UL | $k_{n:n}$ | R_o | L_a |
|------------------------------|--------------------------------|-----------|---|----------------------------|--|----------------|------------|
| 25 W | 2500 Ω | 200 mA | 130 Ω | - | 27:1, 19:1 | 4 i 8 Ω | 24 H |
| f_{min} | f_{max} | Kern | Groesse W | Groesse H | Groesse L | Gewicht | Stueckzahl |
| 10Hz @ -3dB 20Hz @ +/-1dB | 60kHz @ -3dB 20kHz @ +/-1dB | EI84/42de | W1 - 110 mm W2 - 110 mm W3 - 110 mm | H1 - 110 mm H2 - 110 mm | L1 - 110 mm L2 - 110 mm L3 - 110 mm L4 - 110 mm | 2.0 KG | 1 |
| Preis | | | | | | | |
| 1-5 sztuk | | 5+ sztuk | | 10+ sztuk | | 25+ sztuk | |
| 120.0 EUR | | 114.0 EUR | | 108.0 EUR | | 102.0 EUR | |