

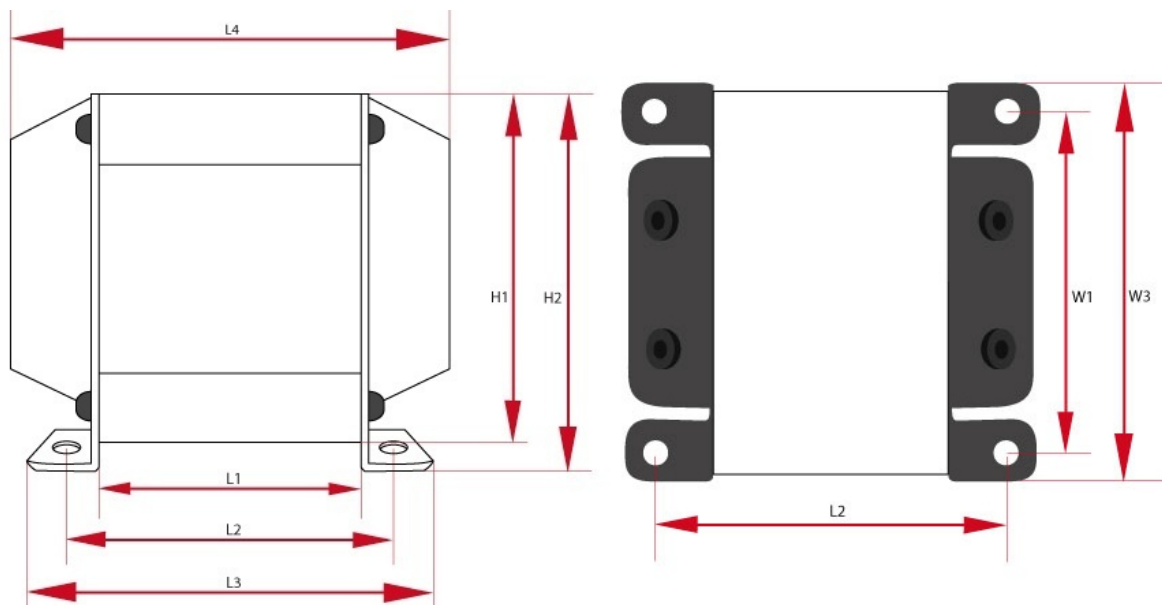
LO D10-1

Core Ei84/42, usually laminations thick 0,5mm. Choke can be made on the annealed laminations thick of 0.3 mm for an additional charge 14USD. Fits to the choke, cover OT-10 (dimensions 10x10x9cm - accessories section).

Caption

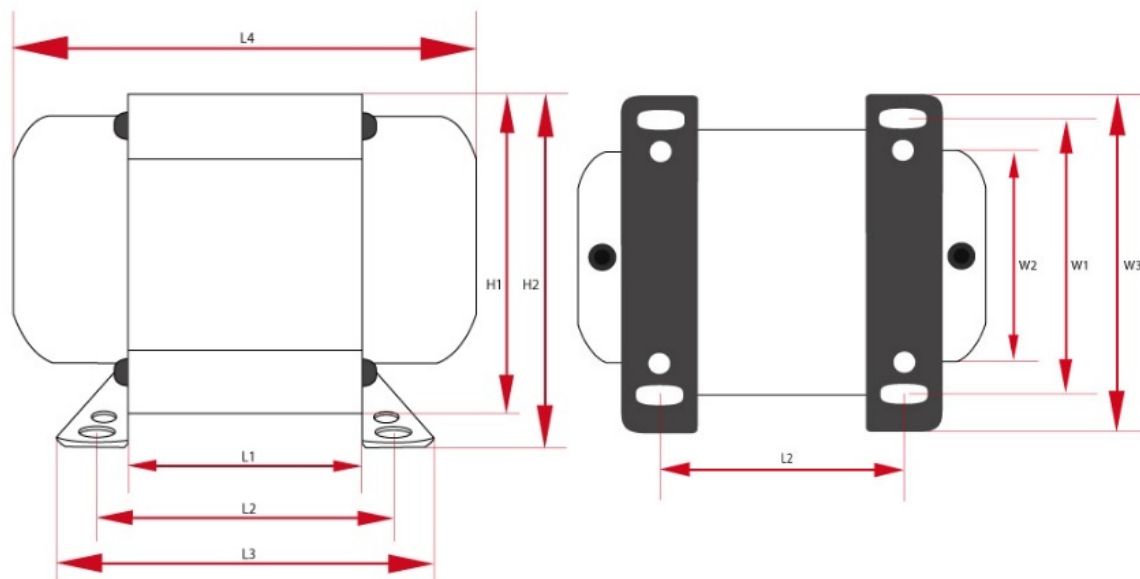
sizes	overall dimensions	I_{max}	maximum current
core	core type	R	resistance
L	inductance, $f = 120\text{Hz}$	weight	approximate weight
price	price		

Specyfikacje



Choke - LO D10-1 - wersja z dwoma deklami (PL)

L	R	I_{max}	Core	Size W	Size H	Size L	Weight	Count
10 H	72 Ω	300 mA	Ei84/42	W1 - 110 mm W2 - 110 mm W3 - 110 mm	H1 - 110 mm H2 - 110 mm	L1 - 110 mm L2 - 110 mm L3 - 110 mm L4 - 110 mm	1.9 kG	1



Choke - LO D10-1 - wersja z dwoma deklami (DE)

L	R	I _{max}	Core	Size W	Size H	Size L	Weight	Count
10 H	72 Ω	300 mA	EI84/42	W1 - 110 mm W2 - 110 mm W3 - 110 mm	H1 - 110 mm H2 - 110 mm	L1 - 110 mm L2 - 110 mm L3 - 110 mm L4 - 110 mm	1.9 kG	1