

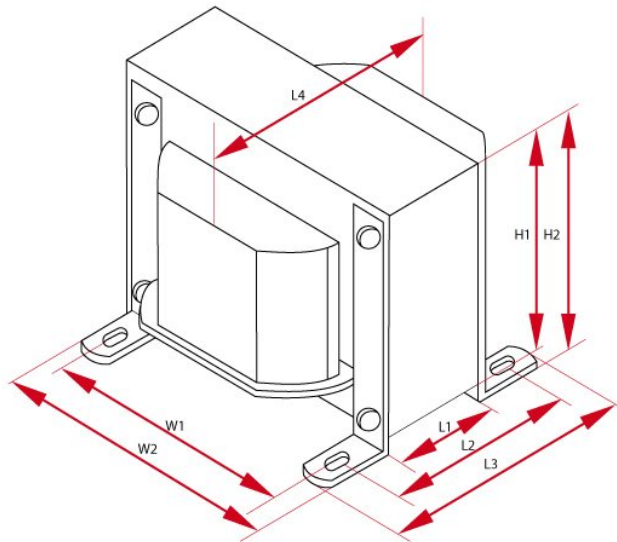
LO D10-1

Core EI84/42, usually laminations thick 0,5mm. Choke can be made on the annealed laminations thick of 0.3 mm for an additional charge 14USD. Fits to the choke, cover OT-10 (dimensions 10x10x9cm - accessories section).

Caption

I _{max}	maximum current	L	inductance, f = 120Hz
R	resistance	core	core type
weight	approximate weight	price	price
sizes	overall dimensions		

Specyfikacje



Choke - LO D10-1								
L	R	I _{max}	Core	Size W	Size H	Size L	Weight	Count
10 H	72 Ω	300 mA	EI84/42	W1 - 70 mm W2 - 84 mm W3 - 110 mm	H1 - 70 mm H2 - 74 mm	L1 - 42 mm L2 - 60 mm L3 - 72 mm L4 - 82 mm	1.9 kG	1