

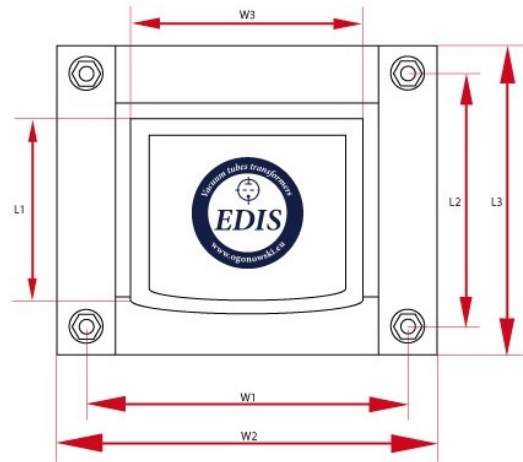
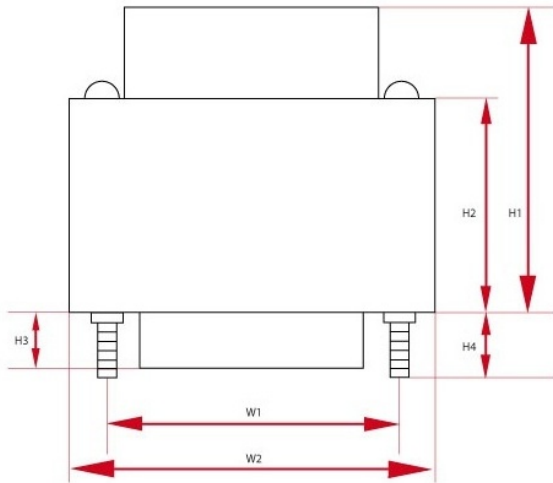
LO D12-1

The choke is made of annealed laminations thick of 0.3 mm.

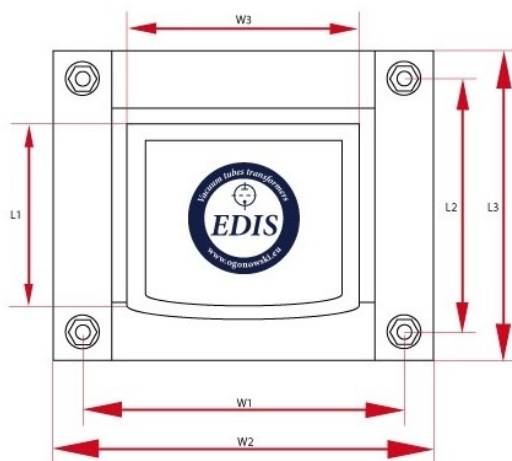
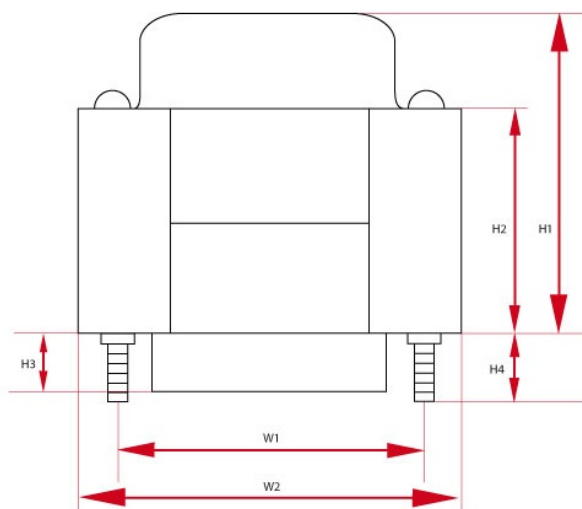
Caption

L	inductance, f = 120Hz	core	core type
weight	approximate weight	price	price
I _{max}	maximum current	sizes	overall dimensions
R	resistance		

Specyfikacje



Choke - LO D12-1 - wersja z jednym dekielkiem (PL)								
L	R	I _{max}	Core	Size W	Size H	Size L	Weight	Count
12 H	350 Ω	50 mA	EI54/18	W1 - 110 mm W2 - 110 mm W3 - 110 mm	H1 - 110 mm H2 - 110 mm	L1 - 110 mm L2 - 110 mm L3 - 110 mm L4 - 110 mm	0.37 kG	1



Choke - LO D12-1 - wersja z jednym dekielkiem (DE)

L	R	I_{\max}	Core	Size W	Size H	Size L	Weight	Count
12 H	350 Ω	50 mA	EI54/18	W1 - 110 mm W2 - 110 mm W3 - 110 mm	H1 - 110 mm H2 - 110 mm	L1 - 110 mm L2 - 110 mm L3 - 110 mm L4 - 110 mm	0.37 kG	1