

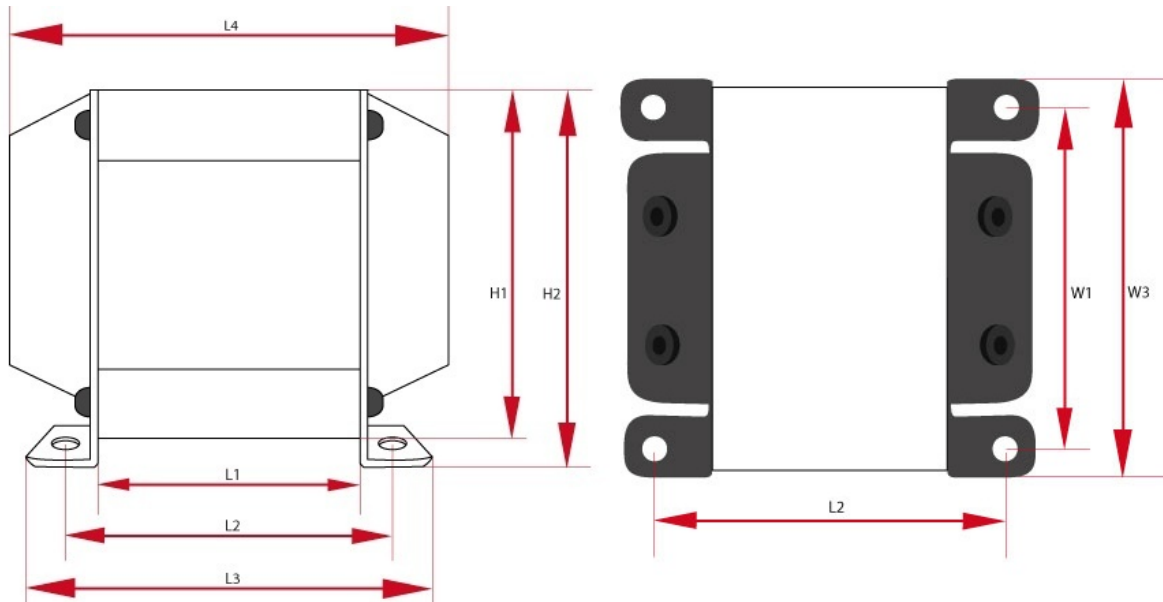
LO D12-1

Choke can be made on the annealed laminations thick of 0.3 mm for an additional charge 6USD.

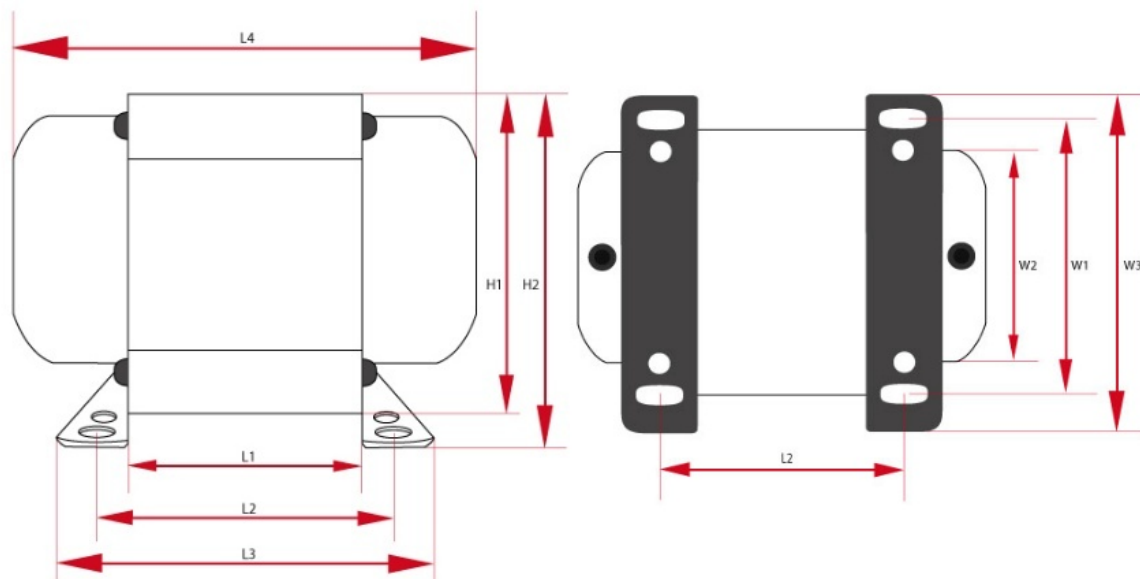
Caption

R	resistance	price	price
L	inductance, f = 120Hz	I _{max}	maximum current
core	core type	weight	approximate weight
sizes	overall dimensions		

Specyfikacje



Choke - LO D12-1 - wersja z dwoma deklami (PL)								
L	R	I _{max}	Core	Size W	Size H	Size L	Weight	Count
12 H	350 Ω	50 mA	EI54/18	W1 - 110 mm W2 - 110 mm W3 - 110 mm	H1 - 110 mm H2 - 110 mm	L1 - 110 mm L2 - 110 mm L3 - 110 mm L4 - 110 mm	0.37 kG	1



Choke - LO D12-1 - wersja z dwoma deklami (DE)

L	R	I _{max}	Core	Size W	Size H	Size L	Weight	Count
12 H	350 Ω	50 mA	EI54/18	W1 - 110 mm W2 - 110 mm W3 - 110 mm	H1 - 110 mm H2 - 110 mm	L1 - 110 mm L2 - 110 mm L3 - 110 mm L4 - 110 mm	0.37 kG	1