

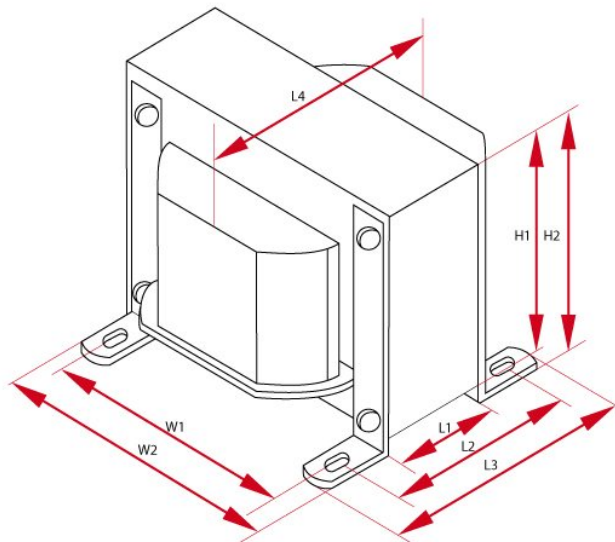
LO D12-1

Choke can be made on the annealed laminations thick of 0.3 mm for an additional charge 6USD.

Caption

R	resistance	L	inductance, f = 120Hz
I _{max}	maximum current	core	core type
weight	approximate weight	sizes	overall dimensions
price	price		

Specyfikacje



Choke - LO D12-1								
L	R	I _{max}	Core	Size W	Size H	Size L	Weight	Count
12 H	350 Ω	50 mA	EI54/18	W1 - 45 mm W2 - 54 mm W3 - 110 mm	H1 - 45 mm H2 - 53 mm	L1 - 18 mm L2 - 35 mm L3 - 43 mm L4 - 45 mm	0.37 kG	1