

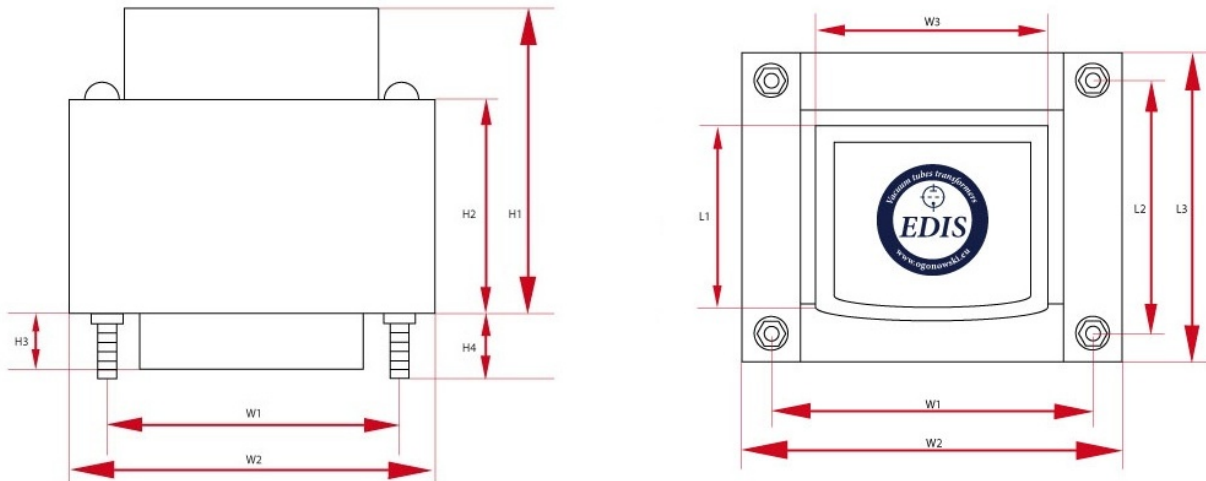
## LO D15-1

Core Ei84/28, usually laminations thick 0,5mm. Choke can be made on the annealed laminations thick of 0.3 mm for an additional charge 12USD. Fits to the choke, cover OT-10 (dimensions 10x10x9cm - accessories section).

## Caption

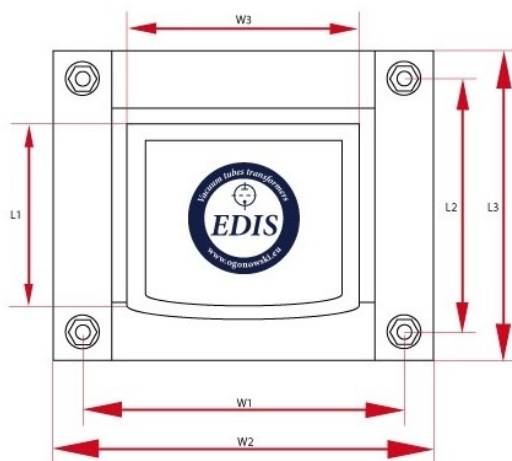
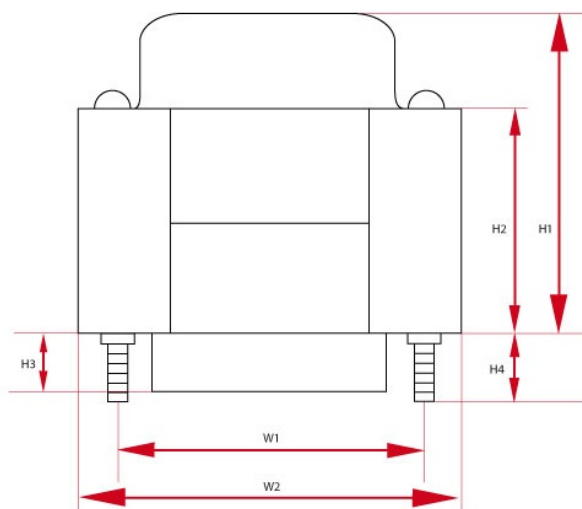
weight	approximate weight	price	price
L	inductance, f = 120Hz	R	resistance
core	core type	sizes	overall dimensions
I <sub>max</sub>	maximum current		

## Specyfikacje



### Choke - LO D15-1 - wersja z jednym dekielkiem (PL)

L	R	I <sub>max</sub>	Core	Size W	Size H	Size L	Weight	Count
15 H	120 Ω	200 mA	Ei84/28	W1 - 110 mm W2 - 110 mm W3 - 110 mm	H1 - 110 mm H2 - 110 mm	L1 - 110 mm L2 - 110 mm L3 - 110 mm L4 - 110 mm	1.5 kG	1



Choke - LO D15-1 - wersja z jednym dekielkiem (DE)

L	R	$I_{\max}$	Core	Size W	Size H	Size L	Weight	Count
15 H	120 $\Omega$	200 mA	EI84/28	W1 - 110 mm W2 - 110 mm W3 - 110 mm	H1 - 110 mm H2 - 110 mm	L1 - 110 mm L2 - 110 mm L3 - 110 mm L4 - 110 mm	1.5 kG	1