

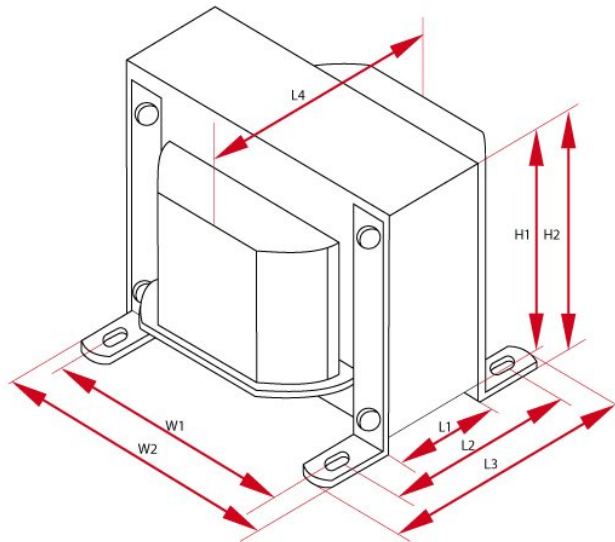
LO D15-1

Core EI84/28, usually laminations thick 0,5mm. Choke can be made on the annealed laminations thick of 0.3 mm for an additional charge 12USD. Fits to the choke, cover OT-10 (dimensions 10x10x9cm - accessories section).

Caption

weight	approximate weight	price	price
L	inductance, f = 120Hz	R	resistance
core	core type	sizes	overall dimensions
I _{max}	maximum current		

Specyfikacje



Choke - LO D15-1								
L	R	I _{max}	Core	Size W	Size H	Size L	Weight	Count
15 H	120 Ω	200 mA	EI84/28	W1 - 70 mm W2 - 84 mm W3 - 110 mm	H1 - 70 mm H2 - 74 mm	L1 - 28 mm L2 - 46 mm L3 - 58 mm L4 - 68 mm	1.5 kG	1