

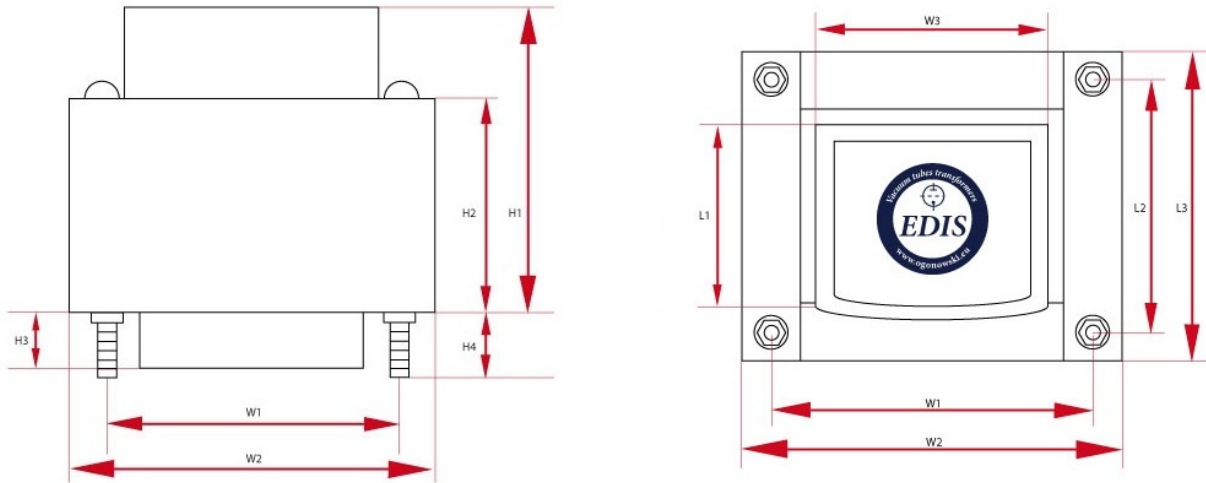
LO D20-1

Choke can be made on the annealed laminations thick of 0.3 mm for an additional charge 13USD. The OT10 cover fits perfectly to D20-1.

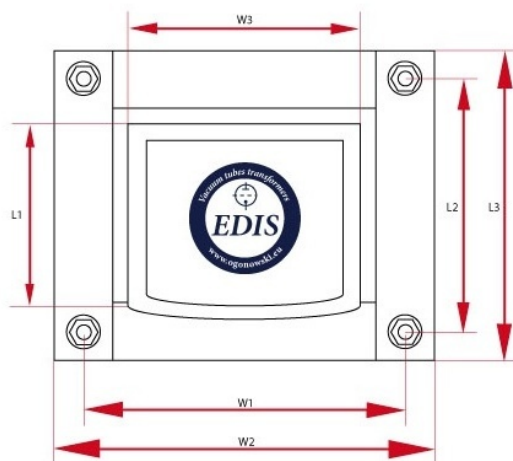
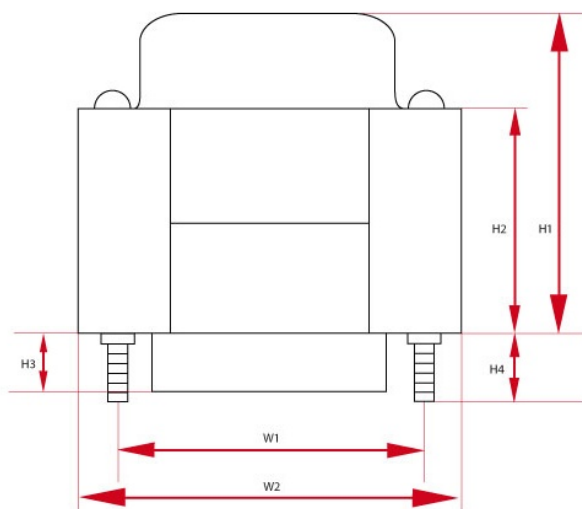
Caption

core	core type	weight	approximate weight
price	price	L	inductance, f = 120Hz
sizes	overall dimensions	R	resistance
I _{max}	maximum current		

Specyfikacje



Choke - LO D20-1 - wersja z jednym dekielkiem (PL)								
L	R	I _{max}	Core	Size W	Size H	Size L	Weight	Count
20 H	140 Ω	200 mA	EI84/42	W1 - 110 mm W2 - 110 mm W3 - 110 mm	H1 - 110 mm H2 - 110 mm	L1 - 110 mm L2 - 110 mm L3 - 110 mm L4 - 110 mm	1.9 kG	1



Choke - LO D20-1 - wersja z jednym dekielkiem (DE)

L	R	I_{\max}	Core	Size W	Size H	Size L	Weight	Count
20 H	140 Ω	200 mA	EI84/42	W1 - 110 mm W2 - 110 mm W3 - 110 mm	H1 - 110 mm H2 - 110 mm	L1 - 110 mm L2 - 110 mm L3 - 110 mm L4 - 110 mm	1.9 kG	1