

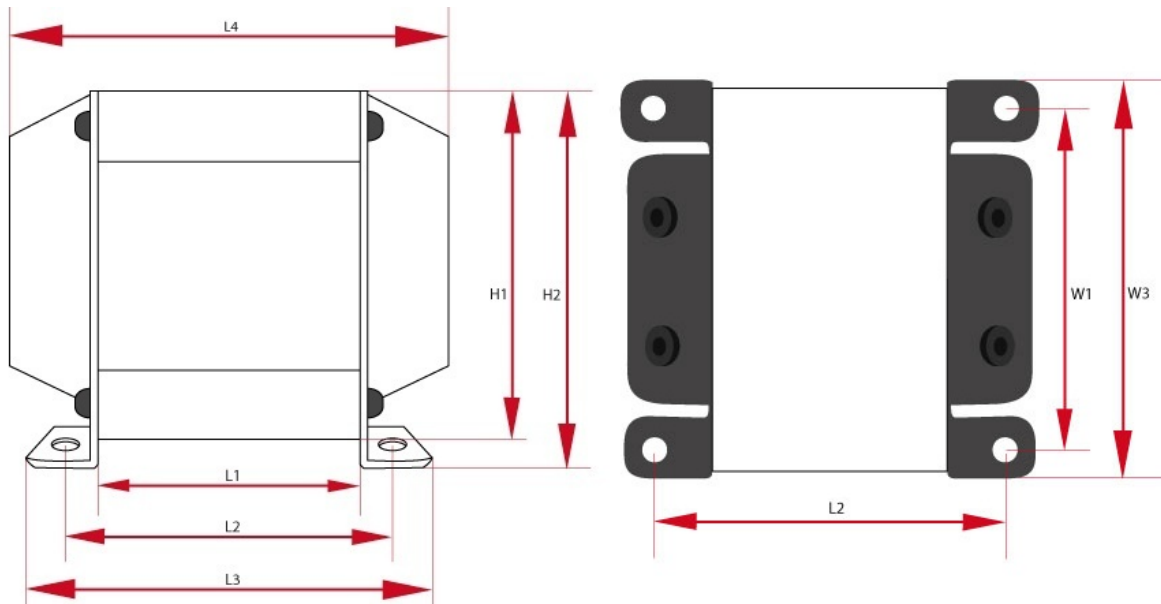
## LO D20-1

Core EI84/42, usually laminations thick 0,5mm. Choke can be made on the annealed laminations thick of 0.3 mm for an additional charge 14USD. Fits to the choke, cover OT-10 (dimensions 10x10x9cm - accessories section).

## Caption

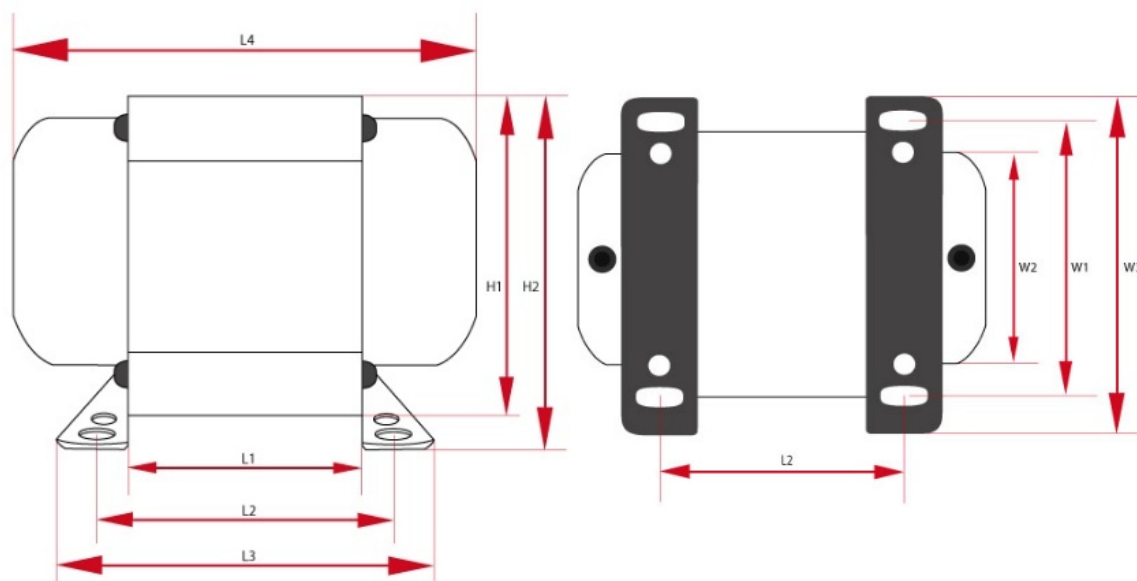
$I_{max}$	maximum current	L	inductance, $f = 120\text{Hz}$
R	resistance	core	core type
weight	approximate weight	price	price
sizes	overall dimensions		

## Specyfikacje



Choke - LO D20-1 - wersja z dwoma deklami (PL)

L	R	$I_{max}$	Core	Size W	Size H	Size L	Weight	Count
20 H	140 $\Omega$	200 mA	EI84/42	W1 - 110 mm W2 - 110 mm W3 - 110 mm	H1 - 110 mm H2 - 110 mm	L1 - 110 mm L2 - 110 mm L3 - 110 mm L4 - 110 mm	1.9 kG	1



Choke - LO D20-1 - wersja z dwoma deklami (DE)

L	R	I <sub>max</sub>	Core	Size W	Size H	Size L	Weight	Count
20 H	140 Ω	200 mA	EI84/42	W1 - 110 mm W2 - 110 mm W3 - 110 mm	H1 - 110 mm H2 - 110 mm	L1 - 110 mm L2 - 110 mm L3 - 110 mm L4 - 110 mm	1.9 kG	1