

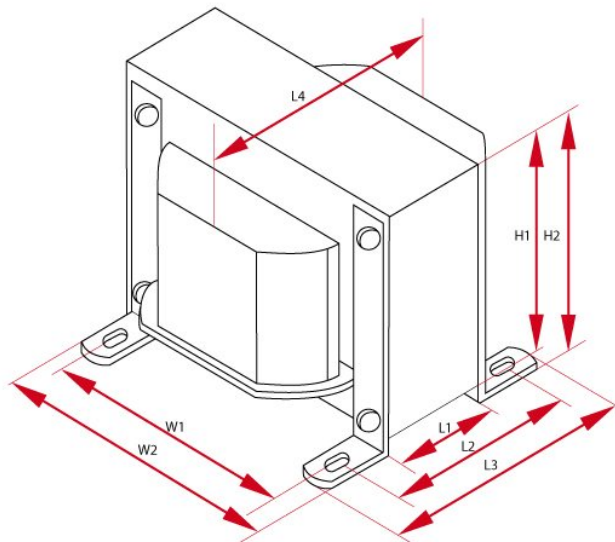
LO D20-1

Choke can be made on the annealed laminations thick of 0.3 mm for an additional charge 13USD. The OT10 cover fits perfectly to D20-1.

Caption

R	resistance	L	inductance, f = 120Hz
core	core type	price	price
sizes	overall dimensions	Imax	maximum current
weight	approximate weight		

Specyfikacje



Choke - LO D20-1								
L	R	I <sub>max</sub>	Core	Size W	Size H	Size L	Weight	Count
20 H	140 Ω	200 mA	EI84/42	W1 - 70 mm W2 - 84 mm W3 - 110 mm	H1 - 70 mm H2 - 84 mm	L1 - 42 mm L2 - 60 mm L3 - 72 mm L4 - 82 mm	1.9 kG	1