

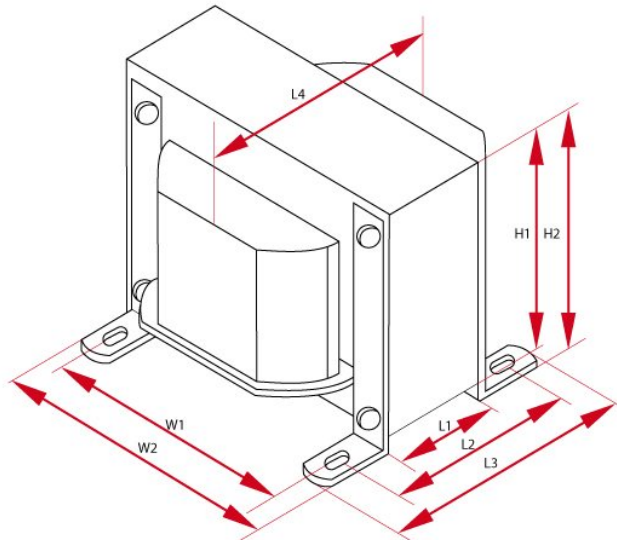
LO D3-1

Choke can be made on the annealed laminations thick of 0.3 mm for an additional charge 13USD. The OT10 cover fits perfectly to D3-1.

Caption

R	resistance	sizes	overall dimensions
weight	approximate weight	core	core type
price	price	$I_{max}$	maximum current
L	inductance, $f = 120\text{Hz}$		

Specyfikacje



Choke - LO D3-1								
L	R	$I_{max}$	Core	Size W	Size H	Size L	Weight	Count
3 H	21 $\Omega$	700 mA	EI84/42	W1 - 70 mm W2 - 84 mm W3 - 110 mm	H1 - 70 mm H2 - 74 mm	L1 - 42 mm L2 - 60 mm L3 - 72 mm L4 - 82 mm	1.9 kG	1