

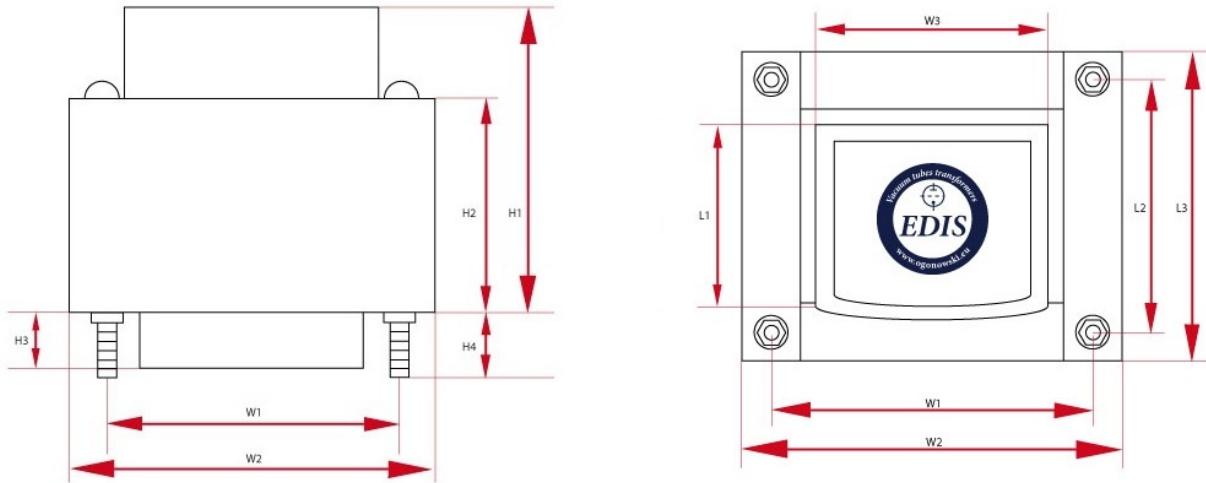
LO D75-1

Choke can be made on the annealed laminations thick of 0.3 mm for an additional charge 6USD.

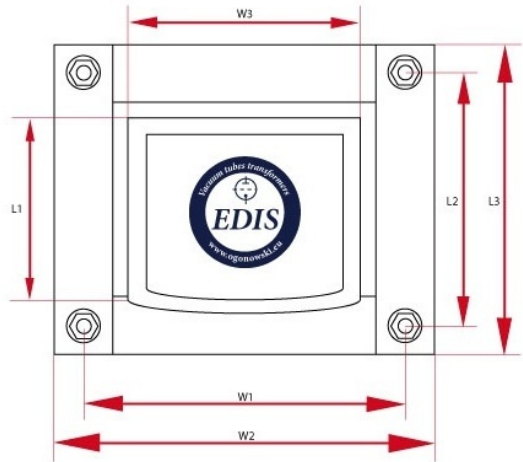
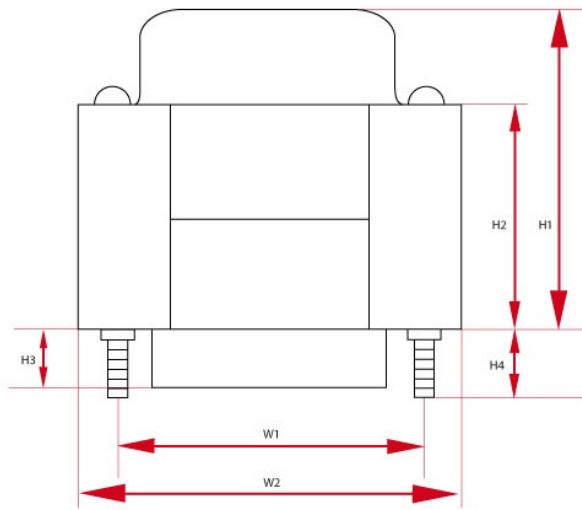
Caption

L	inductance, f = 120Hz	R	resistance
I _{max}	maximum current	weight	approximate weight
sizes	overall dimensions	price	price
core	core type		

Specyfikacje



Choke - LO D75-1 - wersja z jednym dekielkiem (PL)								
L	R	I _{max}	Core	Size W	Size H	Size L	Weight	Count
75 H	1800 Ω	20 mA	EI54/18	W1 - 110 mm W2 - 110 mm W3 - 110 mm	H1 - 110 mm H2 - 110 mm	L1 - 110 mm L2 - 110 mm L3 - 110 mm L4 - 110 mm	0.37 kG	1



Choke - LO D75-1 - wersja z jednym dekielkiem (DE)

L	R	I_{\max}	Core	Size W	Size H	Size L	Weight	Count
75 H	1800 Ω	20 mA	EI54/18	W1 - 110 mm W2 - 110 mm W3 - 110 mm	H1 - 110 mm H2 - 110 mm	L1 - 110 mm L2 - 110 mm L3 - 110 mm L4 - 110 mm	0.37 kG	1