

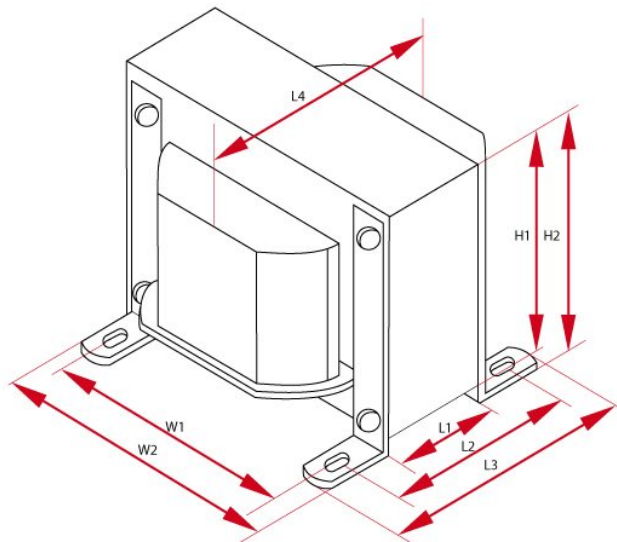
LO D8-1

Core EI66/33, laminations anneald thick 0,3mm. Fits to the choke, cover OT-8 (dimensions 8x8x7cm - accessories section).

Caption

|                  |                       |       |                    |
|------------------|-----------------------|-------|--------------------|
| weight           | approximate weight    | price | price              |
| L                | inductance, f = 120Hz | R     | resistance         |
| core             | core type             | sizes | overall dimensions |
| I <sub>max</sub> | maximum current       |       |                    |

Specyfikacje



| Choke - LO D8-1 |      |                  |         |   |                          |   |        |       |
|-----------------|------|------------------|---------|---|--------------------------|---|--------|-------|
| L               | R    | I <sub>max</sub> | Core    | Size W                                  | Size H                   | Size L  | Weight | Count |
| 8 H             | 78 Ω | 150 mA           | EI66/32 | W1 - 90 mm<br>W2 - 90 mm<br>W3 - 110 mm | H1 - 90 mm<br>H2 - 90 mm | L1 - 90 mm<br>L2 - 90 mm<br>L3 - 90 mm<br>L4 - - mm | 1.1 kG | 1     |