

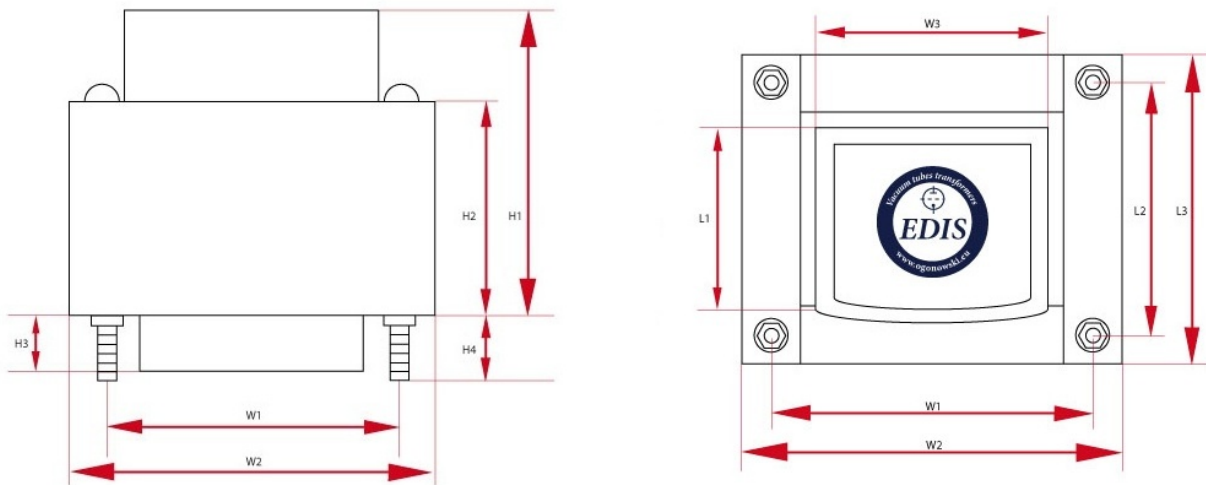
PP40-G1

Guitar Ra Transformer 8000Ω of 40W. Fits to the transformer, cover OT-10 (dimensions 10x10x10cm - accessories section).

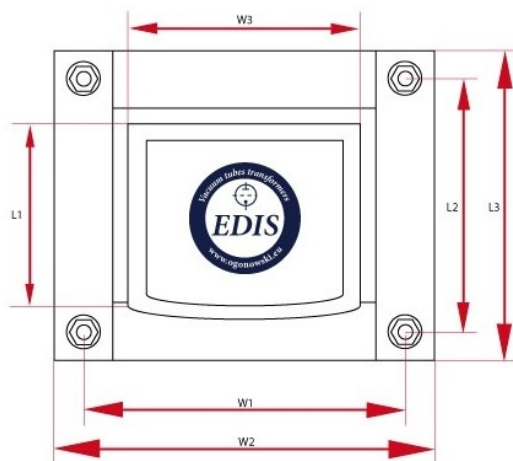
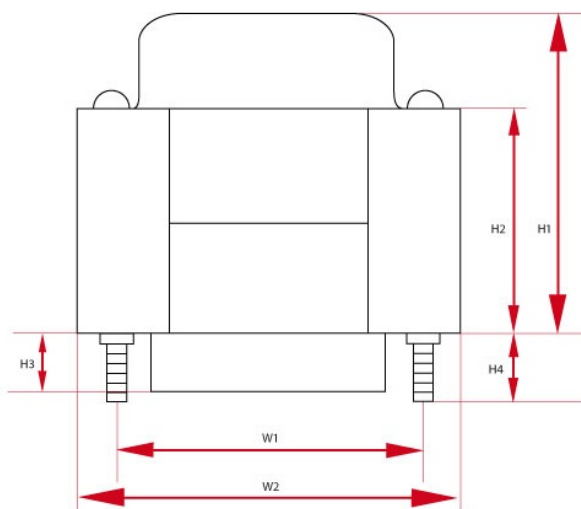
Caption

$f_{min}$	minimum frequency	sizes	overall dimensions
$Z_{aa}$	anode-anode impedance	$k_{n:n}$	transmission
weight	approximate weight	$P_{max}$	maximum power
$I_{max}$	maximum current	$R_{aa}$	resistance of the anode-anode
$R_o$	load resistance	$L_{aa}$	inductance of the anode-anode, f=120Hz
$f_{max}$	maximum frequency	UL	peel off the ultra-linear
price	price	core	core type

Specyfikacje



Push Pull - PP40-G1 - wersja z jednym dekielkiem (PL)							
$P_{max}$	$Z_a$	$I_{max}$	$R_{aa}$	UL	$k_{n:n}$	$R_o$	$L_a$
40 W	8000 Ω	150 mA	-	-	-	4, 8 and 16 Ω	-
$f_{min}$	$f_{max}$	Core	Size W	Size H	Size L	Weight	Count
30Hz @ -3dB	30kHz @ -3dB	EI84/42	W1 - 110 mm W2 - 110 mm W3 - 110 mm	H1 - 110 mm H2 - 110 mm	L1 - 110 mm L2 - 110 mm L3 - 110 mm L4 - 110 mm	2 kg	1



Push Pull - PP40-G1 - wersja z jednym dekielkiem (DE)

$P_{max}$	$Z_a$	$I_{max}$	$R_{aa}$	UL	$k_{n:n}$	$R_o$	$L_a$
40 W	8000 $\Omega$	150 mA	-	-	-	4, 8 and 16 $\Omega$	-
$f_{min}$	$f_{max}$	Core	Size W	Size H	Size L	Weight	Count
30Hz @ -3dB	30kHz @ -3dB	EI84/42	W1 - 110 mm W2 - 110 mm W3 - 110 mm	H1 - 110 mm H2 - 110 mm	L1 - 110 mm L2 - 110 mm L3 - 110 mm L4 - 110 mm	2 kg	1