

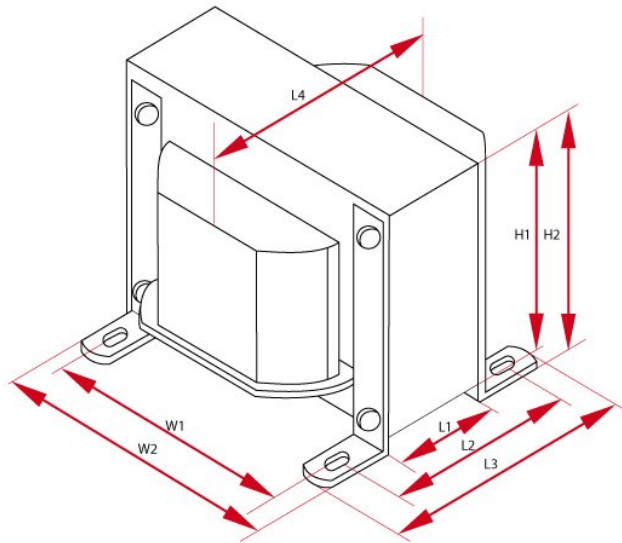
## PP80-G1

Transformer guitar  $R_{aa} = 3400 \Omega$ , the power of 80W. Core Ei96/35, lamination annealed thick 0,3mm. Fits to the transformer, cover OT-12 (dimensions 12x12x12cm - accessories section).

## Caption

$Z_{aa}$	anode-anode impedance	sizes	overall dimensions
$I_{max}$	maximum current	$L_{aa}$	inductance of the anode-anode, $f=120\text{Hz}$
$R_o$	load resistance	weight	approximate weight
$f_{max}$	maximum frequency	$R_{aa}$	resistance of the anode-anode
price	price	$P_{max}$	maximum power
$k_{n,n}$	transmission	$f_{min}$	minimum frequency
UL	peel off the ultra-linear	core	core type

## Specyfikacje



Push Pull - PP80-G1							
$P_{max}$	$Z_a$	$I_{max}$	$R_{aa}$	UL	$k_{n,n}$	$R_o$	$L_a$
80 W	3400 $\Omega$	200 mA	-	-	-	4, 8 and 16 $\Omega$	-
$f_{min}$	$f_{max}$	Core	Size W	Size H	Size L	Weight	Count
10Hz @ -3dB 20Hz @ +/-1dB	60kHz @ -3dB 20kHz @ +/-1dB	Ei96/35	W1 - 80 mm W2 - 96 mm W3 - 110 mm	H1 - 80 mm H2 - 84 mm	L1 - 35 mm L2 - 66 mm L3 - 82 mm L4 - 70 mm	2 kG	1