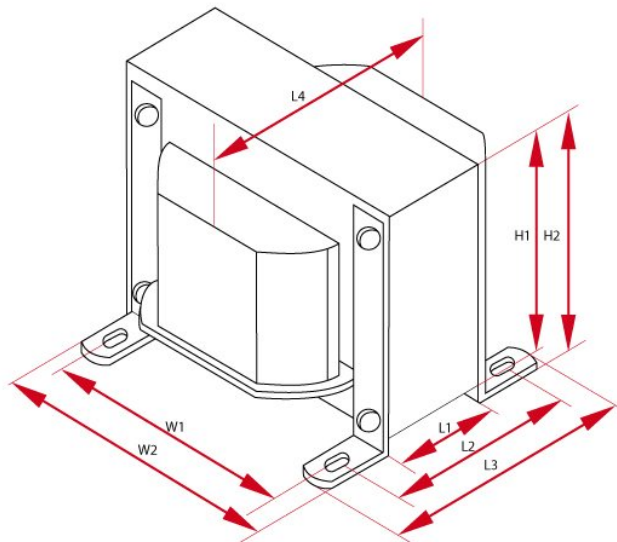


TS80-2

## Caption

$U_{we}$	input voltage	weight	approximate weight
price	price	$P_{max}$	maximum power
$U_{n/In}$	output voltage for current	sizes	overall dimensions
$f_{zas}$	operating frequency	core	core type

## Specyfikacje



Power Transformer - TS80-2							
$P_{max}$	$U_{in}$	$F_z$	Core	Size W	Size H	Size L	Weight
80 W	230 V	50 Hz	EI84/48	W1 - 70 mm W2 - 84 mm W3 - 110 mm	H1 - 70 mm H2 - 74 mm	L1 - 42 mm L2 - 60 mm L3 - 72 mm L4 - 82 mm	2 kg
$U_{a1}$	$U_{a2}$	$U_{a3}$	$U_{a4}$	$U_{a5}$	$U_{a6}$	$U_{a7}$	$U_{a8}$
250V/200mA	6,3V/2A	-	-	-	-	-	-
Oslona	Count						
OT10	1						