

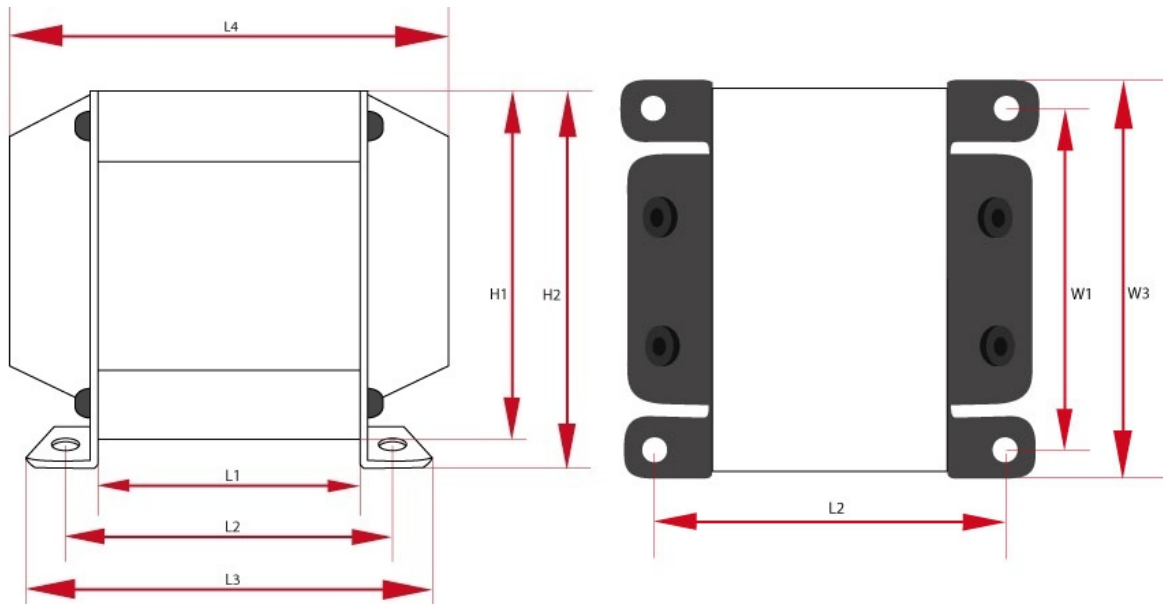
TS300-6

Fits to the transformer, cover OT-14 (dimensions 14x14x14cm - accessories section). Core Ei120/53, usually laminations thick 0,5mm. The surcharge for the version on the annaelad laminations thick 0,3mm is 33 USD.

Caption

U_{we}	input voltage	f_{zas}	operating frequency
weight	approximate weight	price	price
core	core type	$U_{n/In}$	output voltage for current
sizes	overall dimensions	P_{max}	maximum power

Specyfikacje



Power Transformer - TS300-6 - wersja z dwoma deklami (PL)							
P_{max}	U_{in}	F_z	Core	Size W	Size H	Size L	Weight
300 W	230 V	50 Hz	Ei120/53	W1 - 110 mm W2 - 110 mm W3 - 110 mm	H1 - 110 mm H2 - 110 mm	L1 - 110 mm L2 - 110 mm L3 - 110 mm L4 - 110 mm	5 kg
U_{a1}	U_{a2}	U_{a3}	U_{a4}	U_{a5}	U_{a6}	U_{a7}	U_{a8}
0-10-160V/0,4A	290V/0,06A	90V/0,06A	6,3V/2A	12,6V/5A	-	-	-
Ostona	Count						
-	1						



Power Transformer - TS300-6 - wersja z dwoma deklami (DE)

P_{max}	U_{in}	F_z	Core	Size W	Size H	Size L	Weight
300 W	230 V	50 Hz	EI120/53	W1 - 110 mm W2 - 110 mm W3 - 110 mm	H1 - 110 mm H2 - 110 mm	L1 - 110 mm L2 - 110 mm L3 - 110 mm L4 - 110 mm	5 kg
U_{a1}	U_{a2}	U_{a3}	U_{a4}	U_{a5}	U_{a6}	U_{a7}	U_{a8}
0-10-160V/0,4A	290V/0,06A	90V/0,06A	6,3V/2A	12,6V/5A	-	-	-
Ostona	Count						
-	1						