

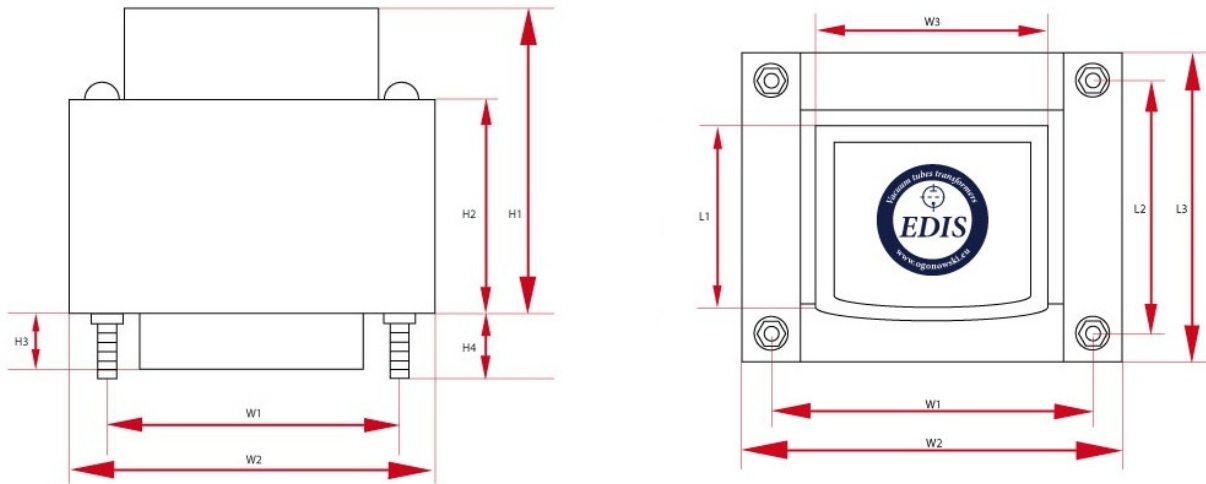
LO PP40-1

The transformer is made on the annealed cores, thickness of laminations 0.3 mm. Fits to the transformer, cover OT-10 (dimensions 10x10x10cm - accessories section).

Caption

R_o	load resistance	I_{max}	maximum current
L_{aa}	inductance of the anode-anode, $f=120\text{Hz}$	R_{aa}	resistance of the anode-anode
price	price	sizes	overall dimensions
$k_{n,n}$	transmission	P_{max}	maximum power
core	core type	Z_{aa}	anode-anode impedance
UL	peel off the ultra-linear	f_{min}	minimum frequency
f_{max}	maximum frequency	weight	approximate weight

Specyfikacje



Push Pull - LO PP40-1 - wersja z jednym dekielkiem (PL)							
P_{max}	Z_a	I_{max}	R_{aa}	UL	$k_{n,n}$	R_o	L_a
40 W	6600 Ω	200 mA	173 Ω	43 %	40.6 : 1, 28.7 : 1	4 and 8 Ω	44 H
f_{min}	f_{max}	Core	Size W	Size H	Size L	Weight	Count
15Hz @ -3dB	68kHz @ -3dB	EI84/42	W1 - 110 mm W2 - 110 mm W3 - 110 mm	H1 - 110 mm H2 - 110 mm	L1 - 110 mm L2 - 110 mm L3 - 110 mm L4 - 110 mm	1.8 kG	1
Price							
1-5 units		5+ units		10+ units		25+ units	
125.0 USD		119.0 USD		113.0 USD		106.0 USD	



Push Pull - LO PP40-1 - wersja z jednym dekielkiem (DE)

P_{max}	Z_a	I_{max}	R_{aa}	UL	$k_{n:n}$	R_o	L_a
40 W	6600 Ω	200 mA	173 Ω	43 %	40.6 : 1, 28.7 : 1	4 and 8 Ω	44 H
f_{min}	f_{max}	Core	Size W	Size H	Size L	Weight	Count
15Hz @ -3dB	68kHz @ -3dB	EI84/42	W1 - 110 mm W2 - 110 mm W3 - 110 mm	H1 - 110 mm H2 - 110 mm	L1 - 110 mm L2 - 110 mm L3 - 110 mm L4 - 110 mm	1.8 KG	1
Price							
1-5 units		5+ units		10+ units		25+ units	
125.0 USD		119.0 USD		113.0 USD		106.0 USD	