

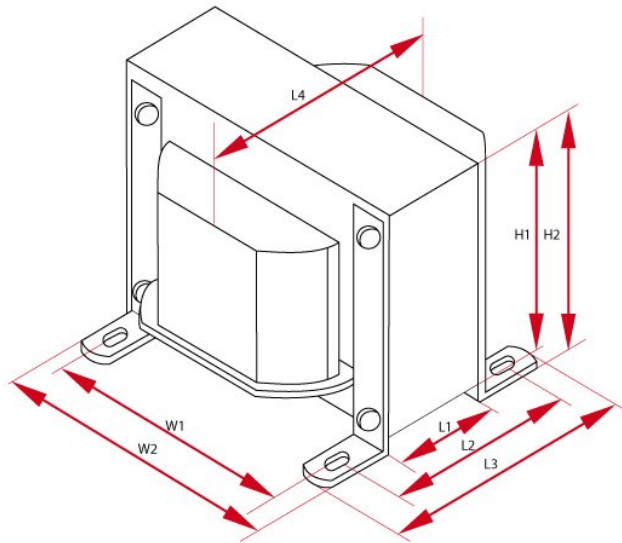
## LO PP40-1

The transformer is made on the annealed cores, thickness of laminations 0.3 mm. Fits to the transformer, cover OT-10 (dimensions 10x10x10cm - accessories section).

## Caption

$Z_{aa}$	anode-anode impedance	$P_{max}$	maximum power
UL	peel off the ultra-linear	$R_o$	load resistance
$f_{min}$	minimum frequency	$I_{max}$	maximum current
$R_{aa}$	resistance of the anode-anode	core	core type
$k_{n:n}$	transmission	$L_{aa}$	inductance of the anode-anode, f=120Hz
$f_{max}$	maximum frequency	price	price
sizes	overall dimensions	weight	approximate weight

## Specyfikacje



Push Pull - LO PP40-1							
$P_{max}$	$Z_a$	$I_{max}$	$R_{aa}$	UL	$k_{n:n}$	$R_o$	$L_a$
40 W	6600 $\Omega$	200 mA	173 $\Omega$	43 %	40.6 : 1, 28.7 : 1	4 and 8 $\Omega$	44 H
$f_{min}$	$f_{max}$	Core	Size W	Size H	Size L	Weight	Count
15Hz @ -3dB	68kHz @ -3dB	EI84/42	W1 - 70 mm W2 - 84 mm W3 - 110 mm	H1 - 70 mm H2 - 74 mm	L1 - 42 mm L2 - 60 mm L3 - 72 mm L4 - 82 mm	1.8 kG	1
Price							
1-5 units		5+ units		10+ units		25+ units	
125.0 USD		119.0 USD		113.0 USD		106.0 USD	